



Light 3D

- 14.3415 Light 3D Headrest 2-Switch
- 14.3515 Light 3D Headrest 2-Switch-Flex

Sicherheitshinweise
Safety Instructions



Montage
Assembly Instructions



Handhabung
Handling



M3D H3D

L3D

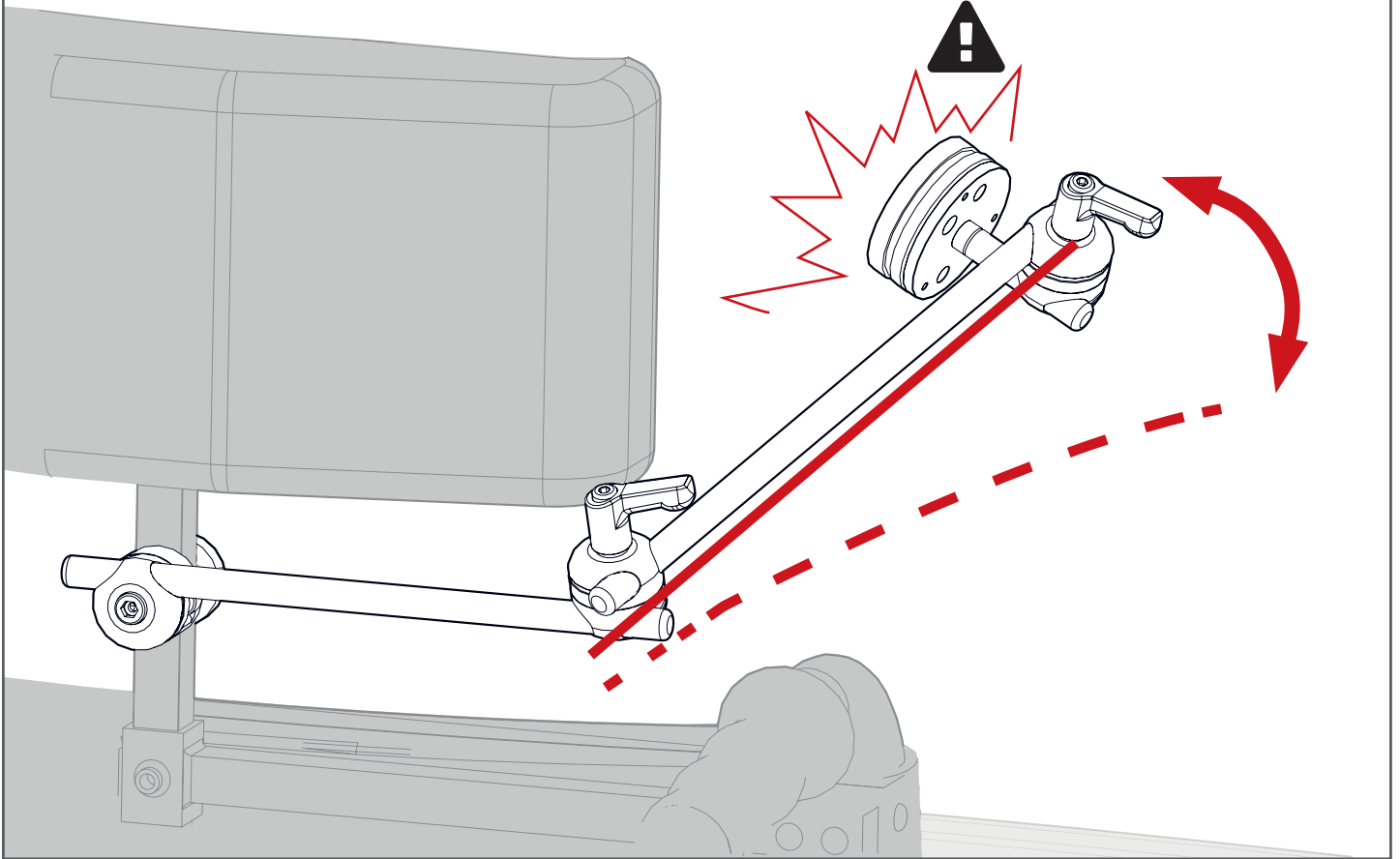
2021-06-25

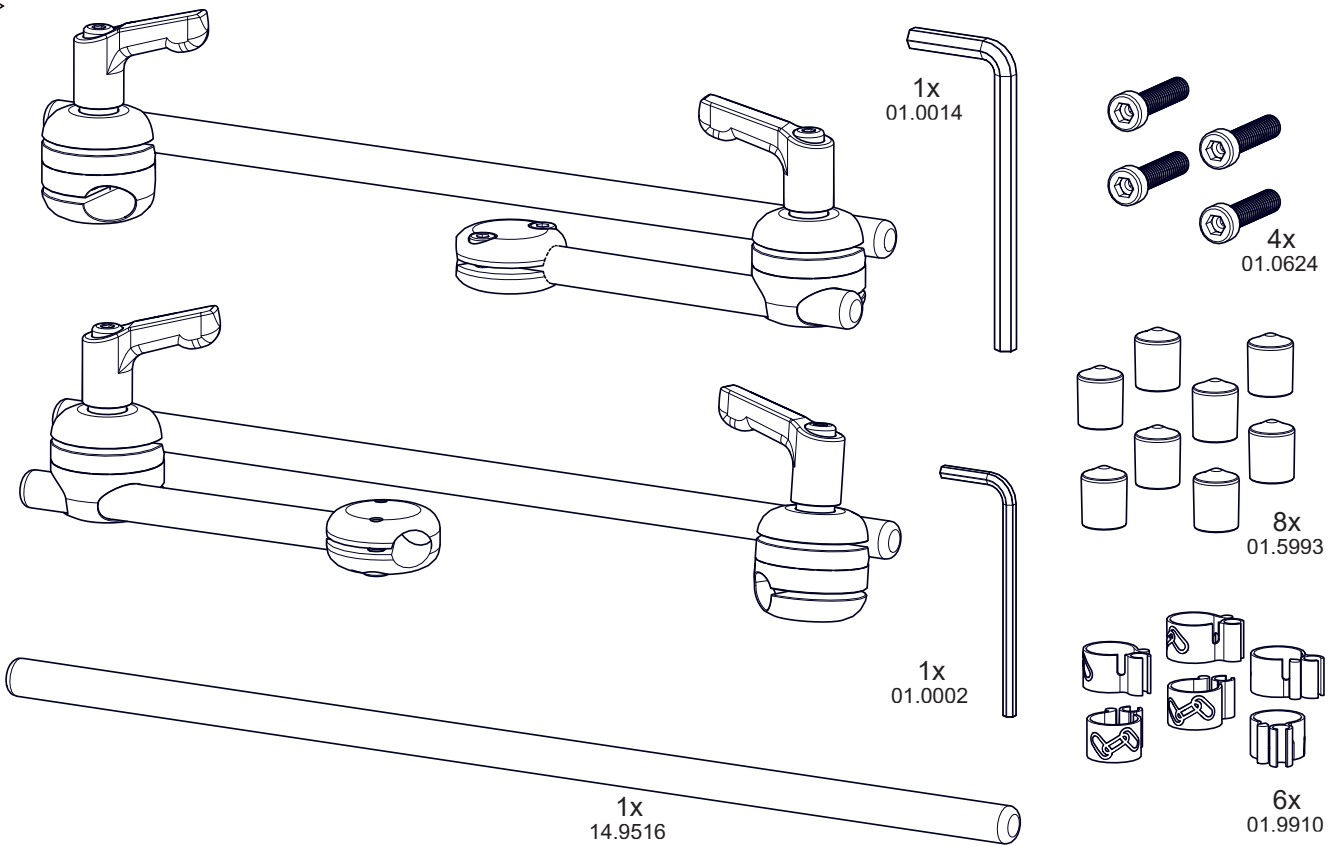
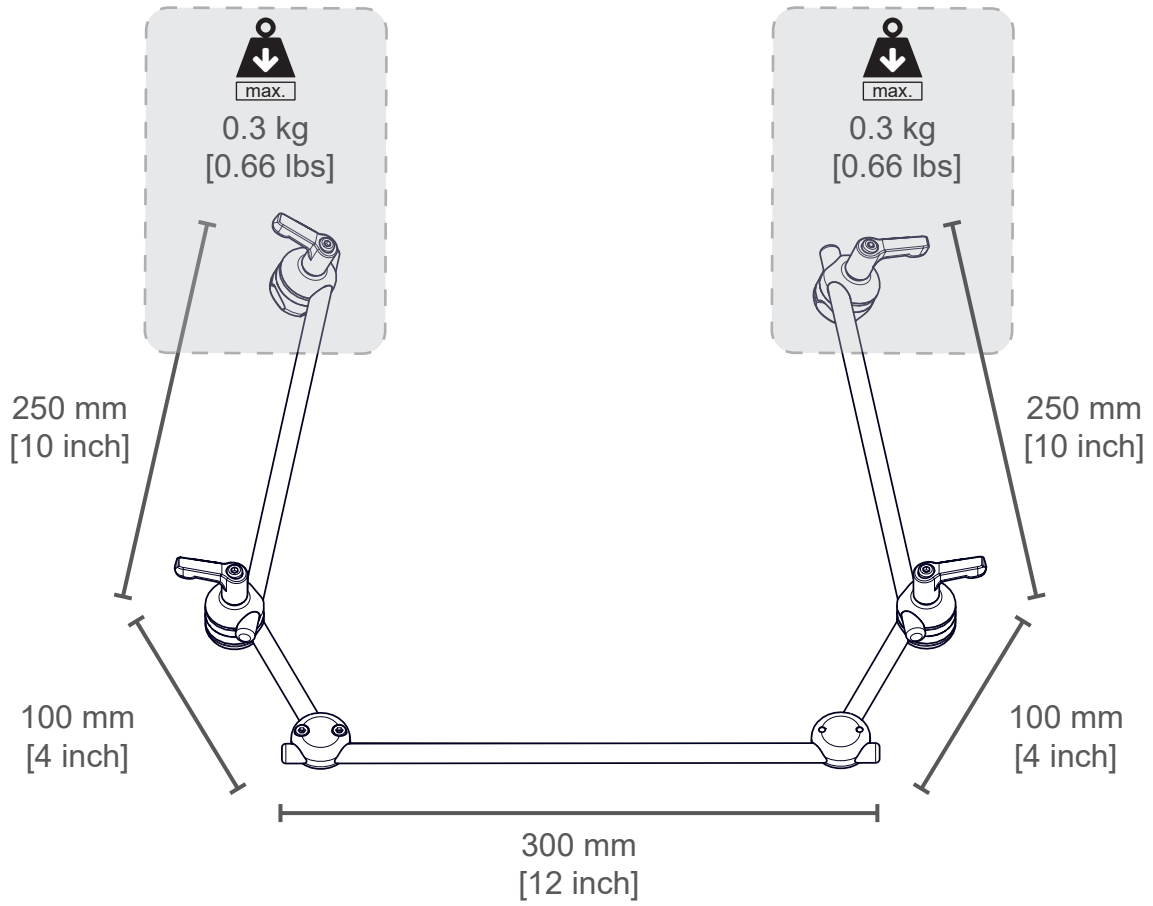
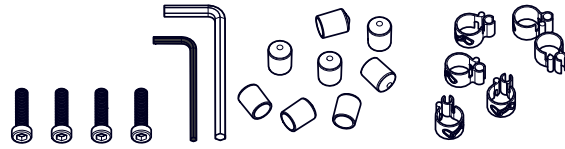
00.5139~A

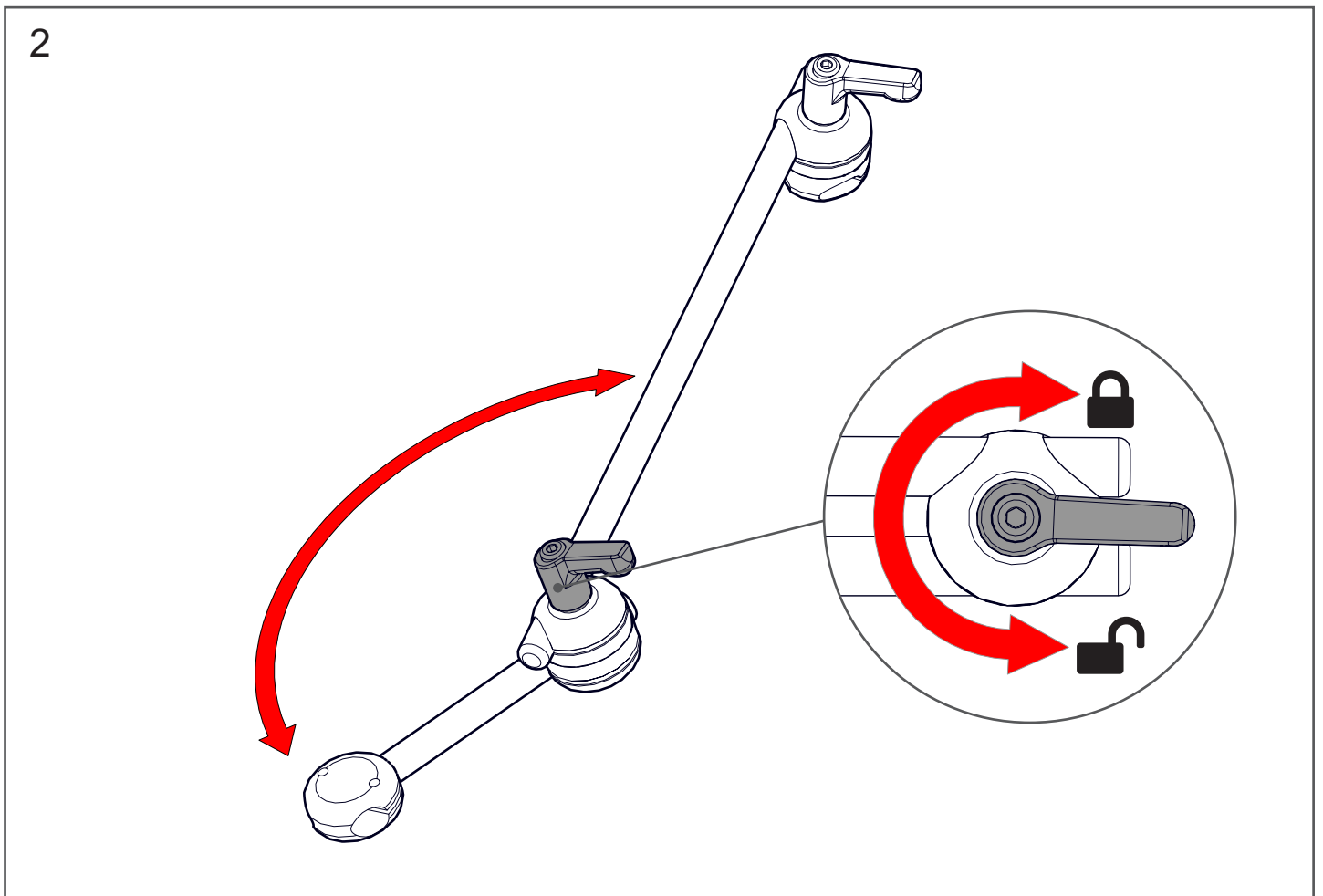
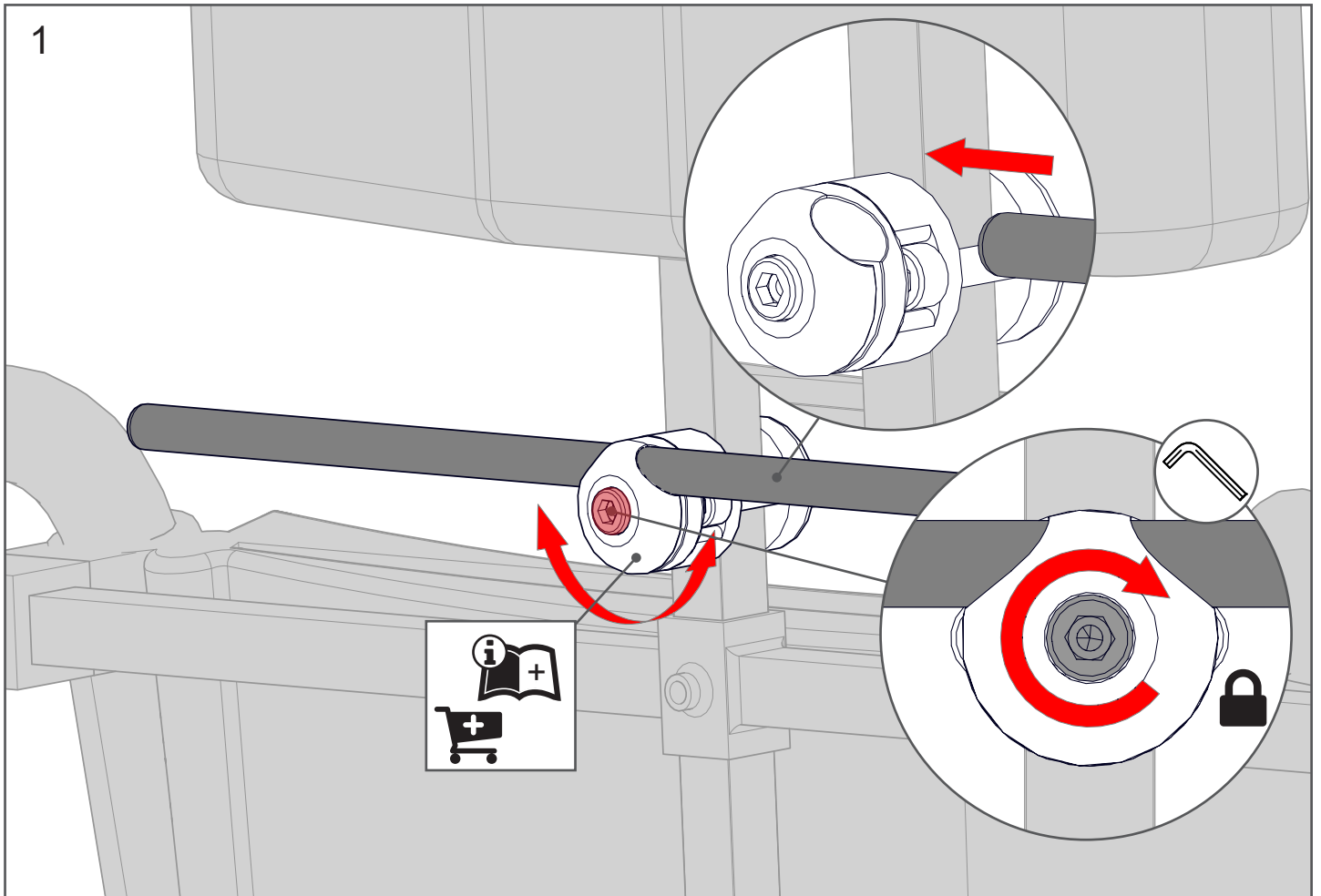




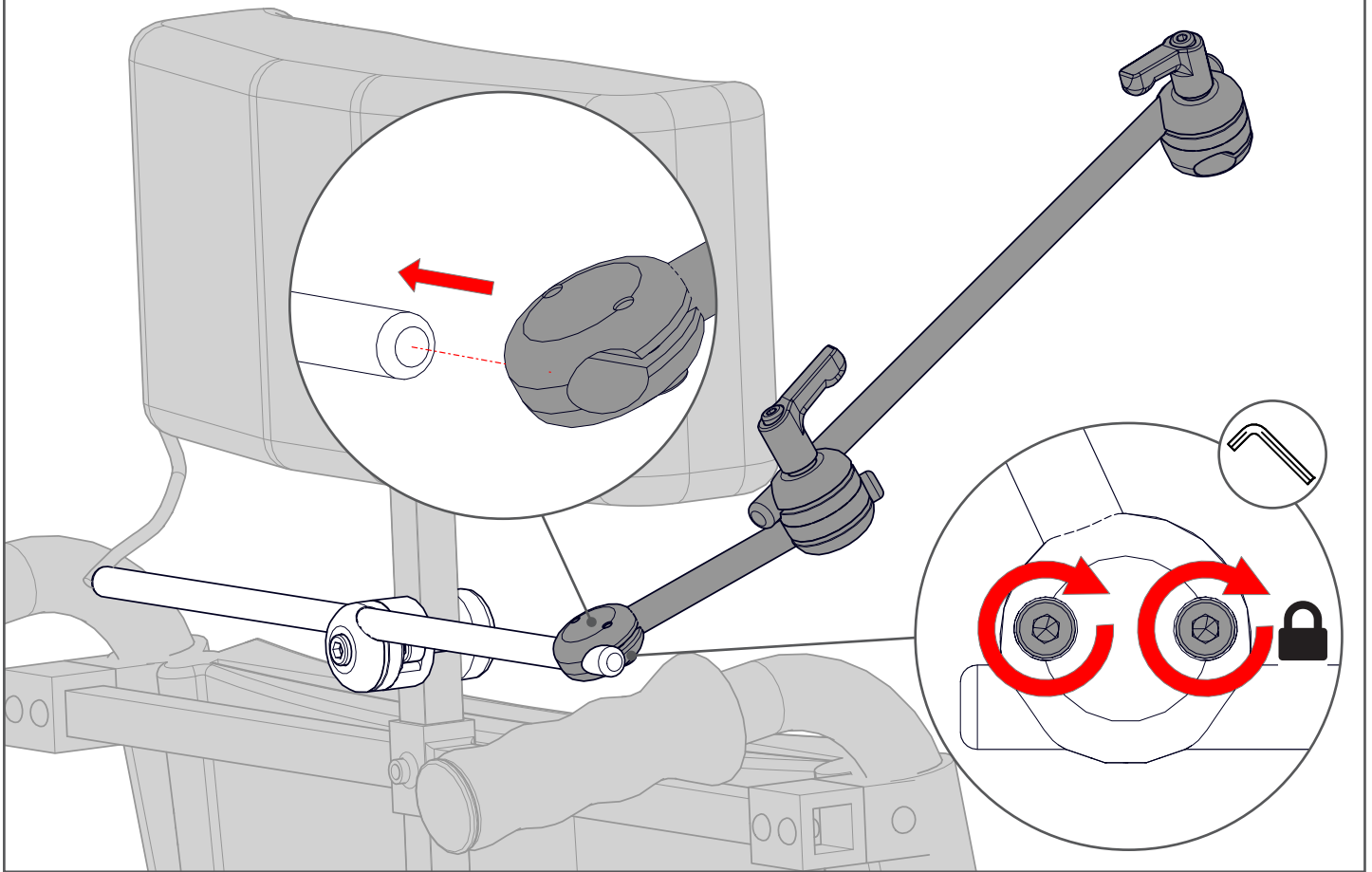
14.3515* Light 3D Headrest 2-Switch Flex



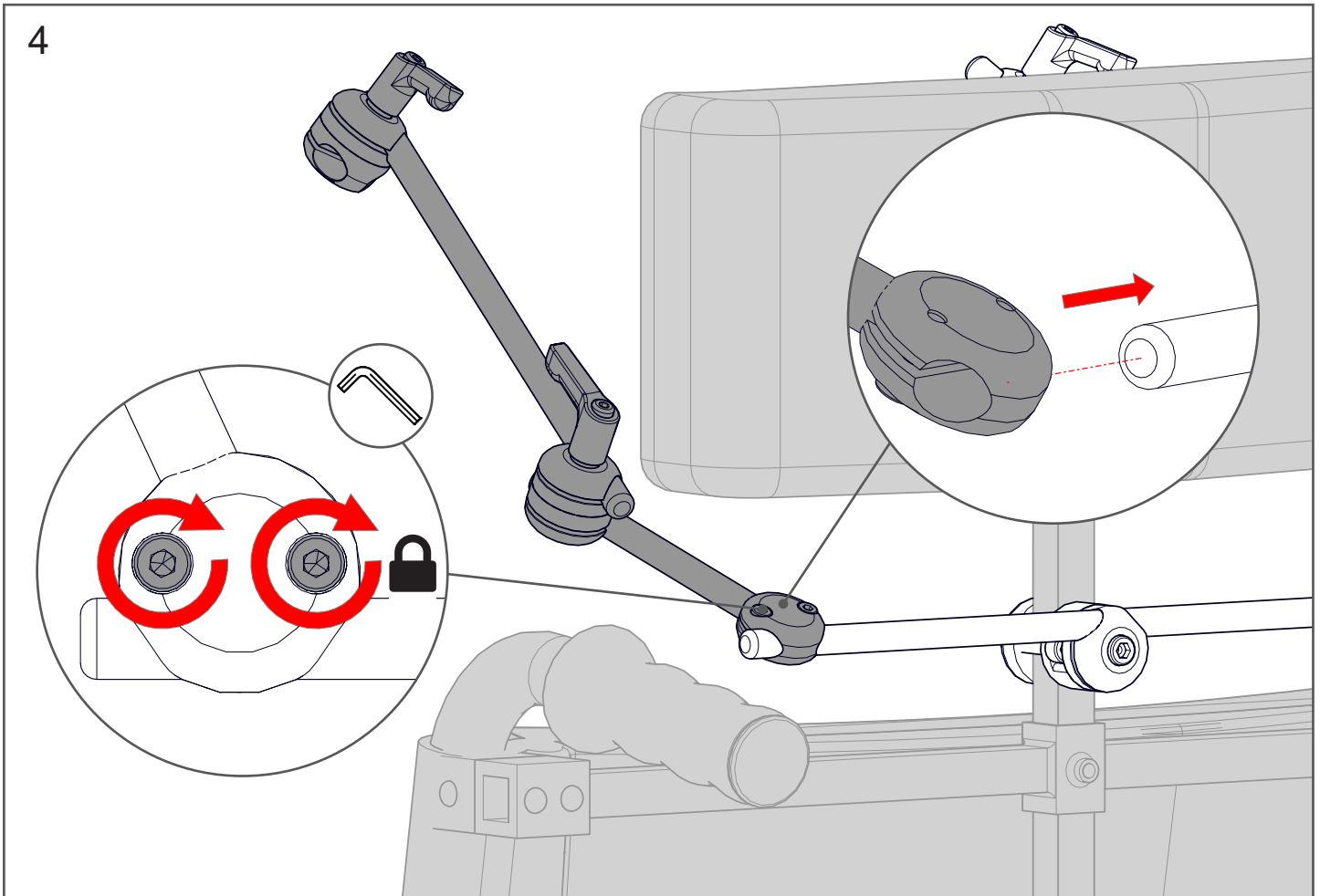


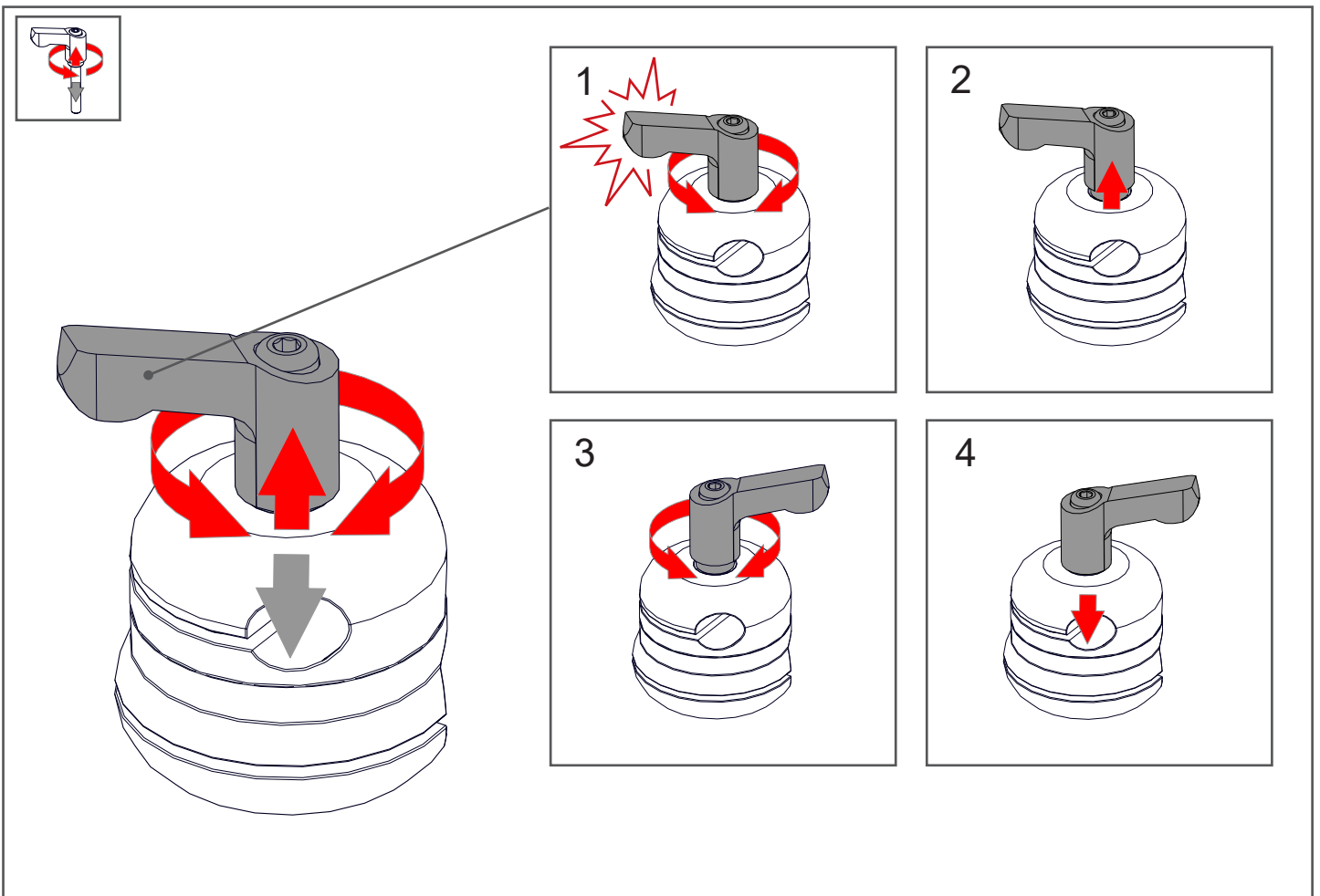
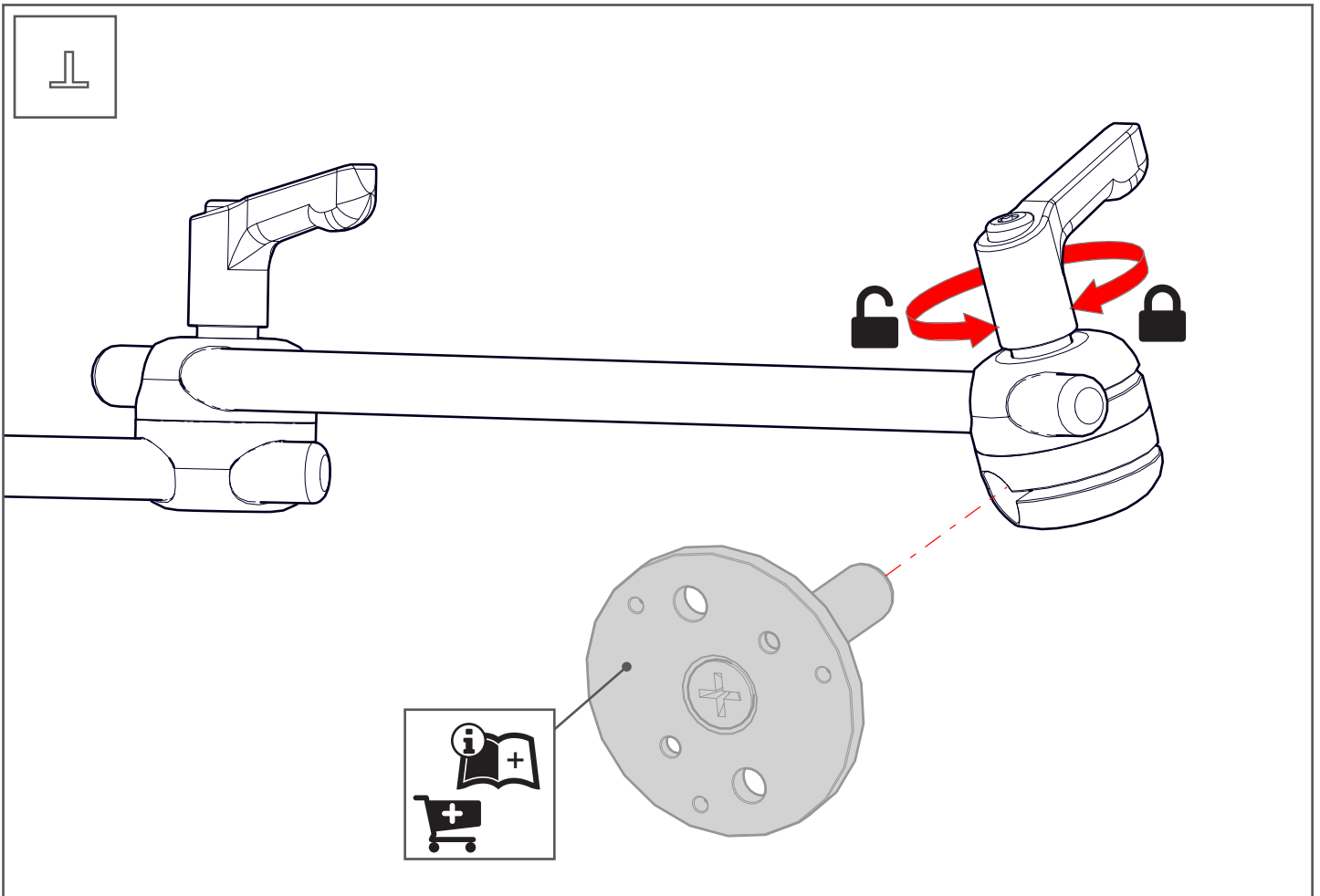


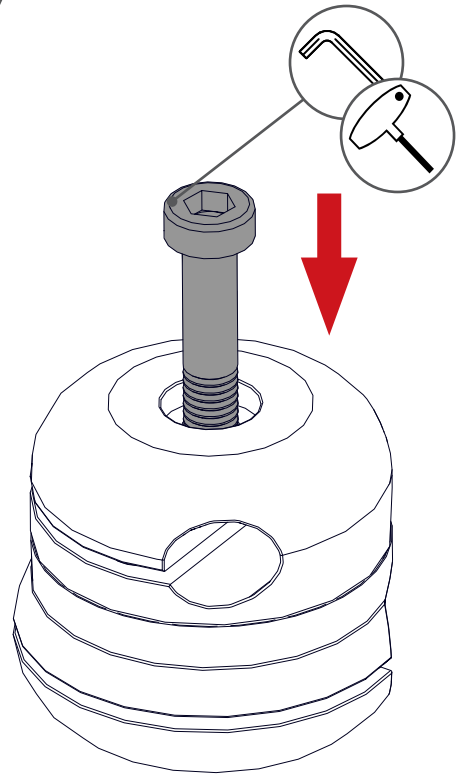
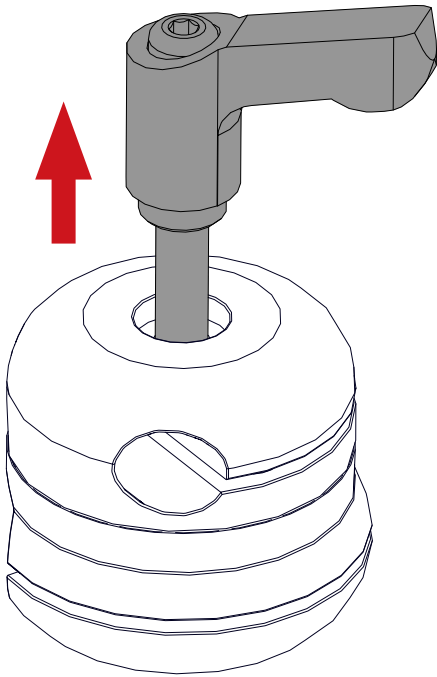
3



4

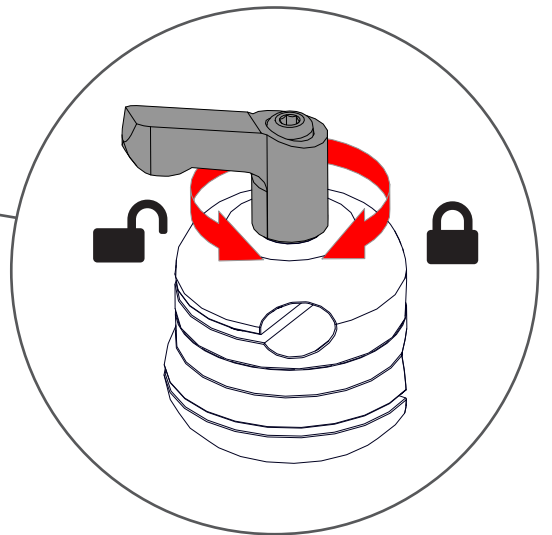
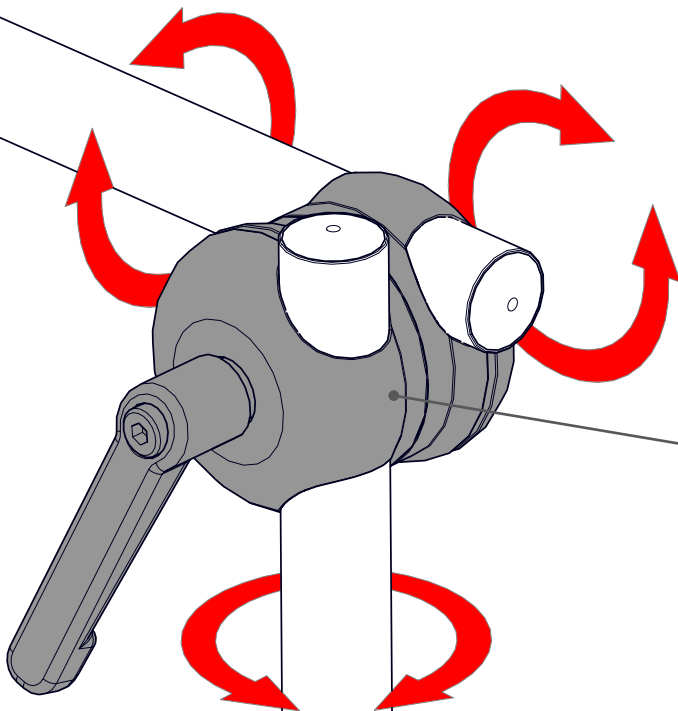
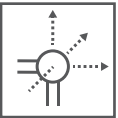


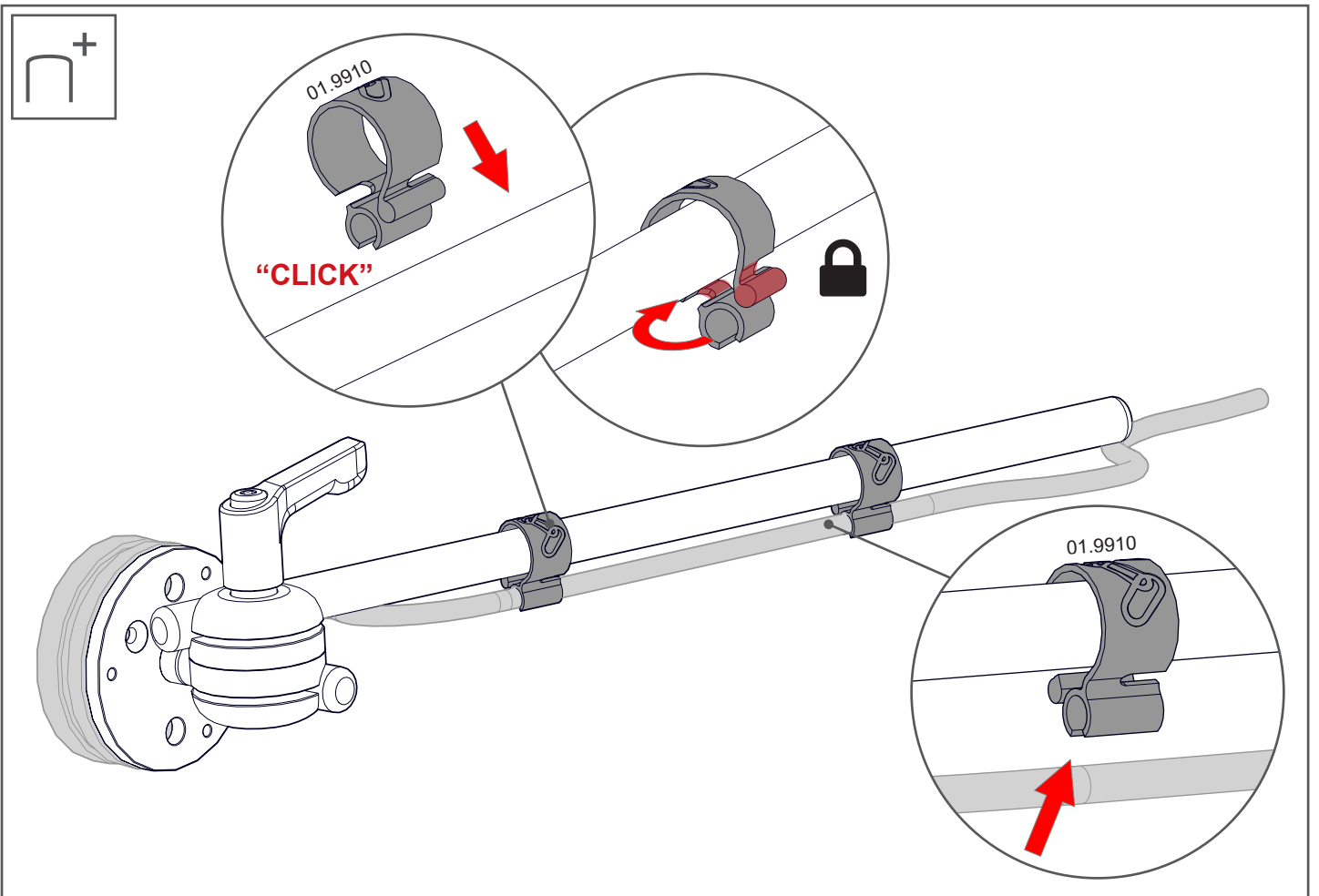
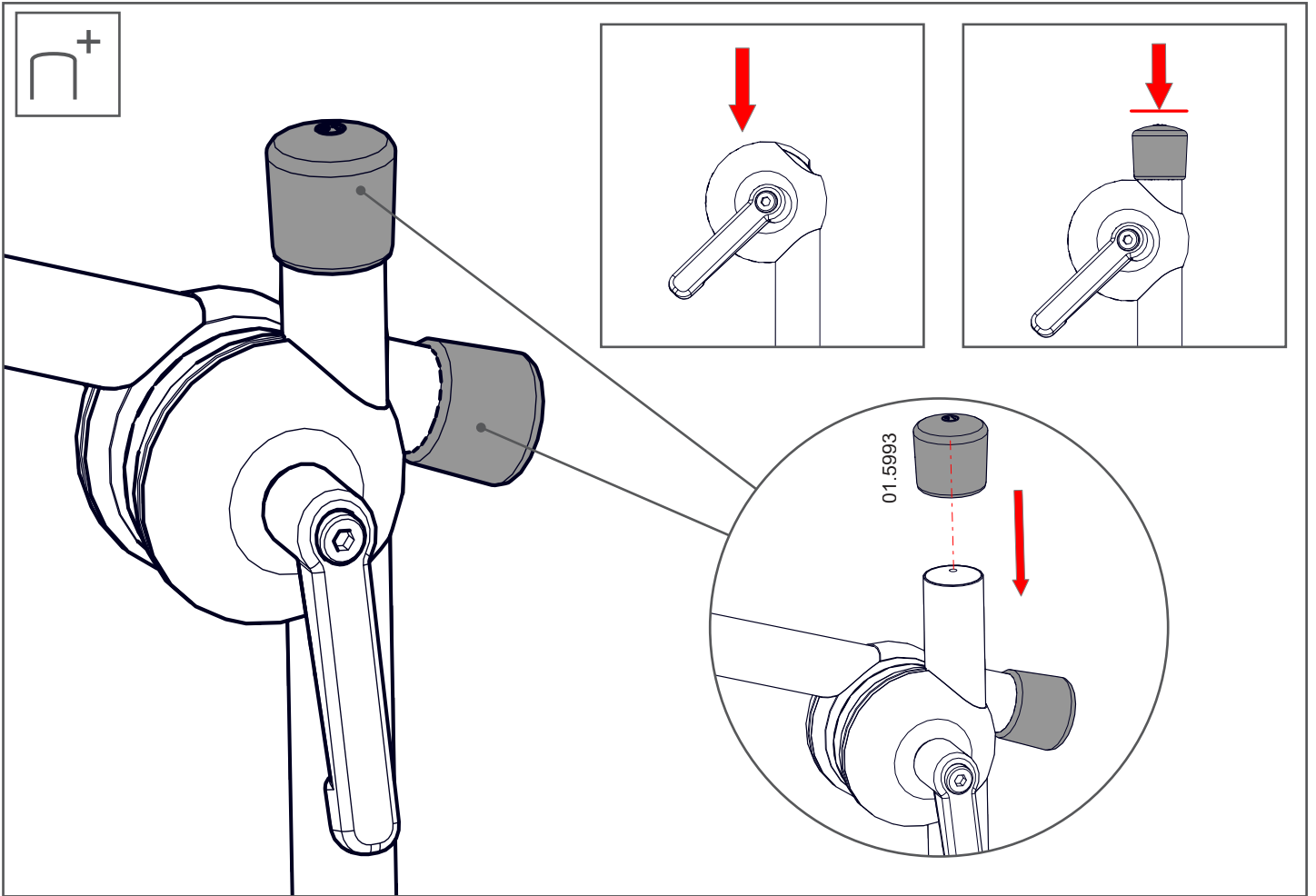


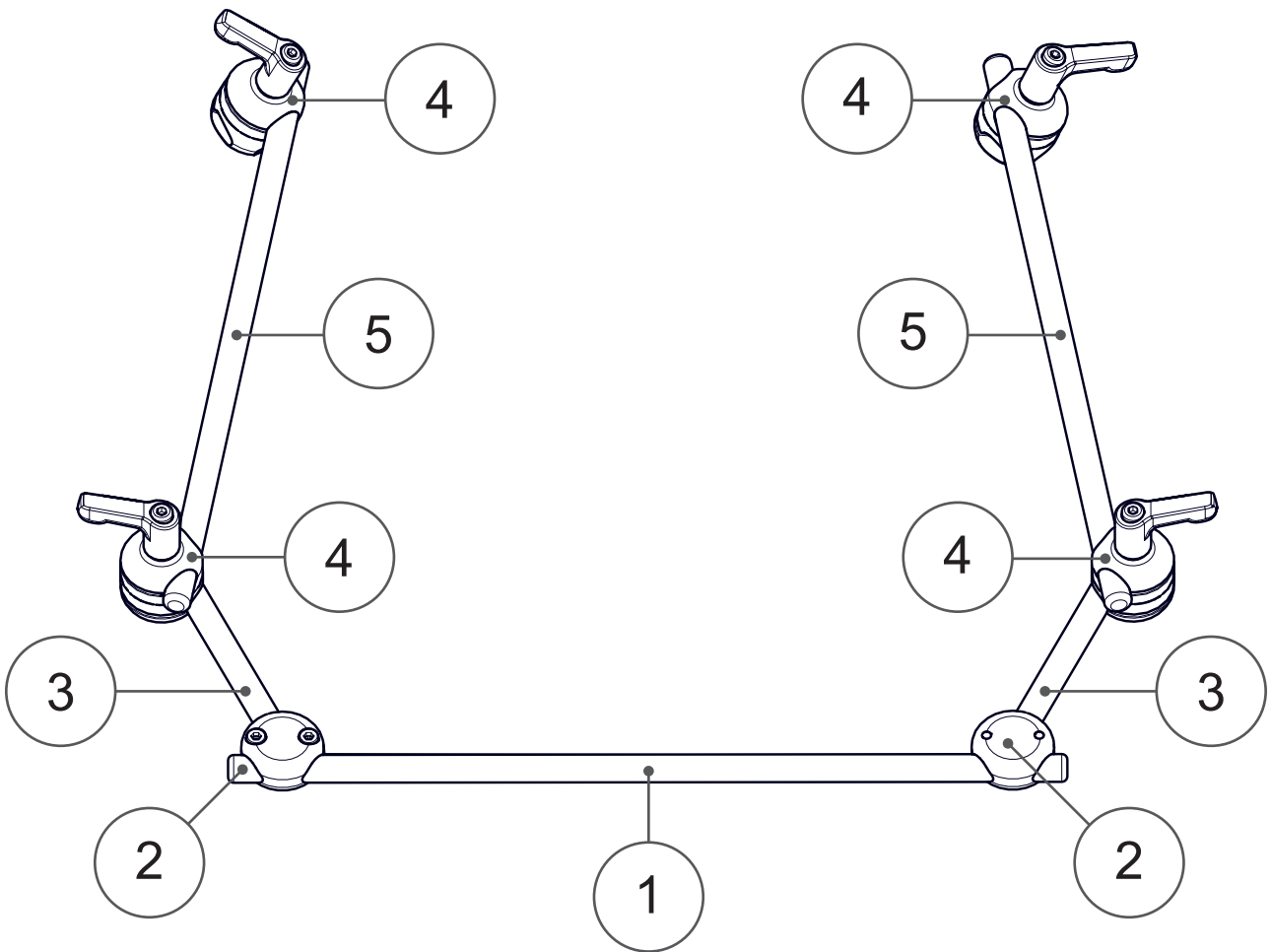
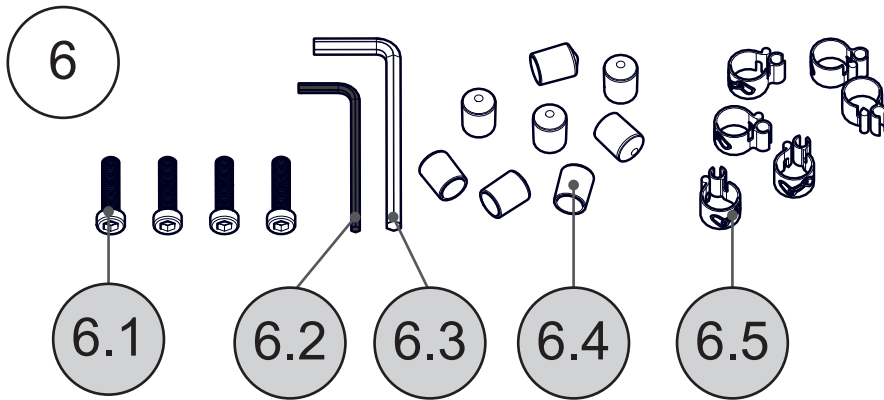


10-10

01.0624





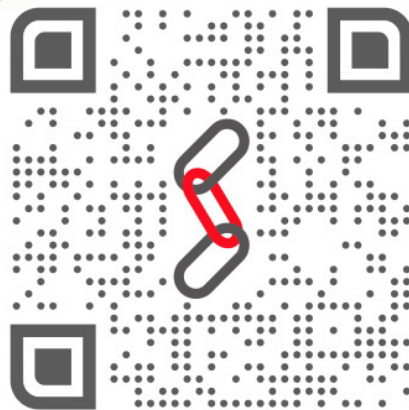


Pos.	No.	Bezeichnung	Description
1	14.9516	Rohr Ø10x300	Tube Ø10x300
2	14.1302	L3D Connector 65°	L3D Connector 65°
3	14.9512	Rohr Ø10x100	Tube Ø10x100
4	14.1252	L3D 10-10 QS	L3D 10-10 QS
5*	14.9515	Rohr Ø10x250	Tube Ø10x250
5**	14.9714	Flex Back Rohr Ø10x250	Flex Back Tube Ø10x250
6	14.3415BS	Schraubensatz - L3D HR 2-Switch	Set of bolts - L3D HR 2-Switch
6.1	01.0624	Zylinderschraube M6x25	Cylinder head bolt M6x25
6.2	01.0002	Innensechskantschlüssel 3mm	Allen wrench 3mm
6.3	01.0014	Innensechskantschlüssel 5mm	Allen wrench 5mm
6.4	01.5993	Abrutschkappe Ø10mm	Restraining cap Ø10mm
6.5	01.9910	Kabelclip Ø10	Cable clip Ø10

* 14.3415 Light 3D Headrest 2-Switch

**14.3515 Light 3D Headrest 2-Switch Flex





Rehadapt Engineering
GmbH & Co. KG

📄 Heinrich-Hertz-Str. 104
34123 Kassel, Germany

☎ Tel.: +49 561 220 717 0
📠 Fax: +49 561 220 717 99

✉ officeteam@rehadapt.com
🌐 <https://rehadapt.com>



Rehadapt
North America

📄 40 Oser Ave
Hauppauge, NY 11788, USA

☎ Tel.: 1 (888) 635-6962
📠 Fax: 1 (888) 635-6962

✉ officeteam.na@rehadapt.com
🌐 <https://rehadapt.com>