

# Light 3D

- 14.3211 **Light 3D QuickShift UDS**
- 14.3211CM **Custom Light 3D QuickShift UDS**

Sicherheitshinweise  
Safety Instructions



Montage  
Assembly Instructions



Handhabung  
Handling



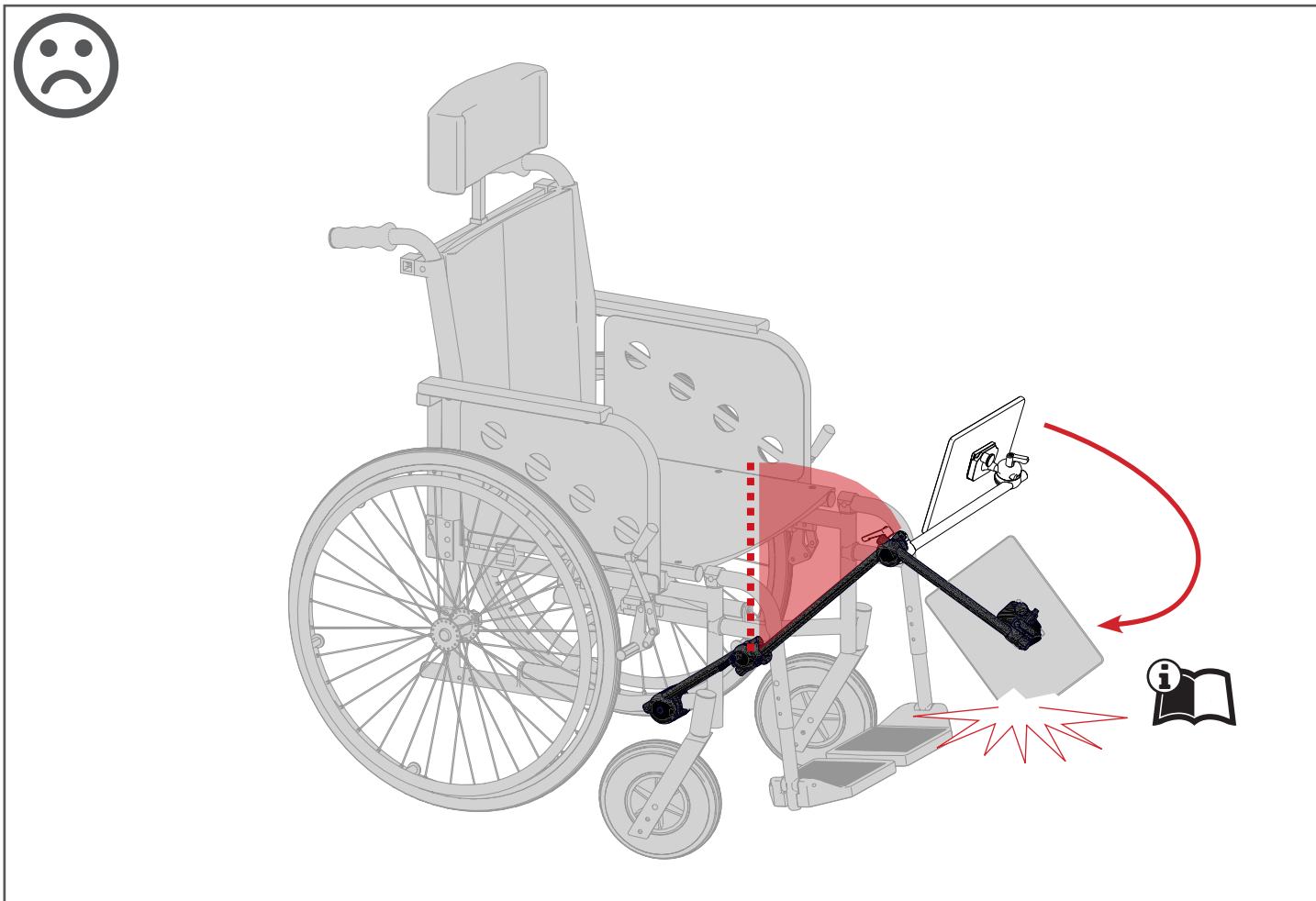
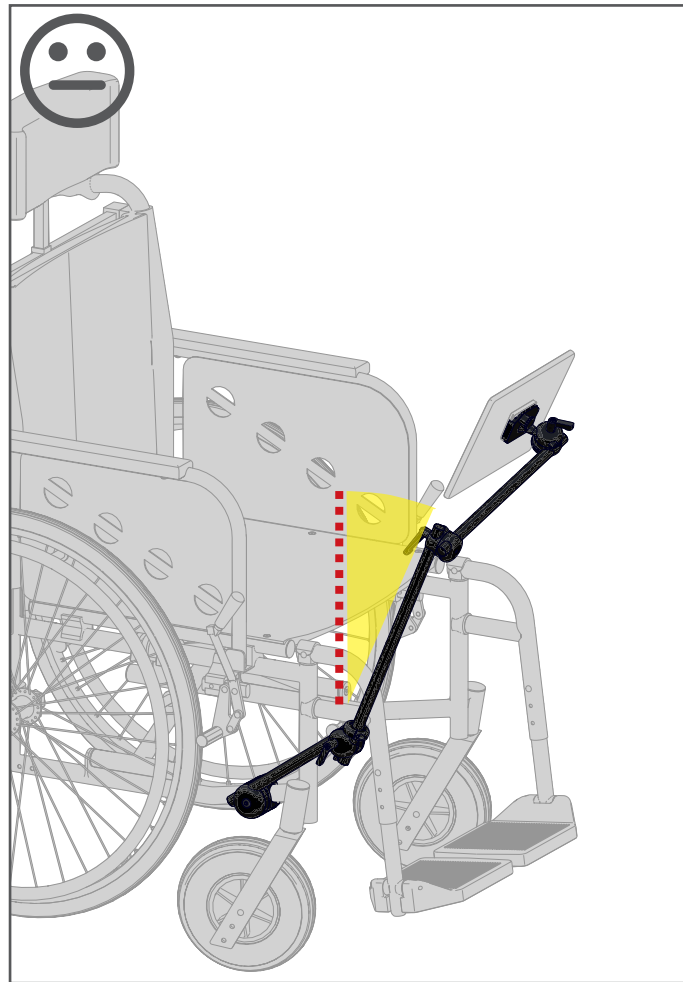
M3D H3D

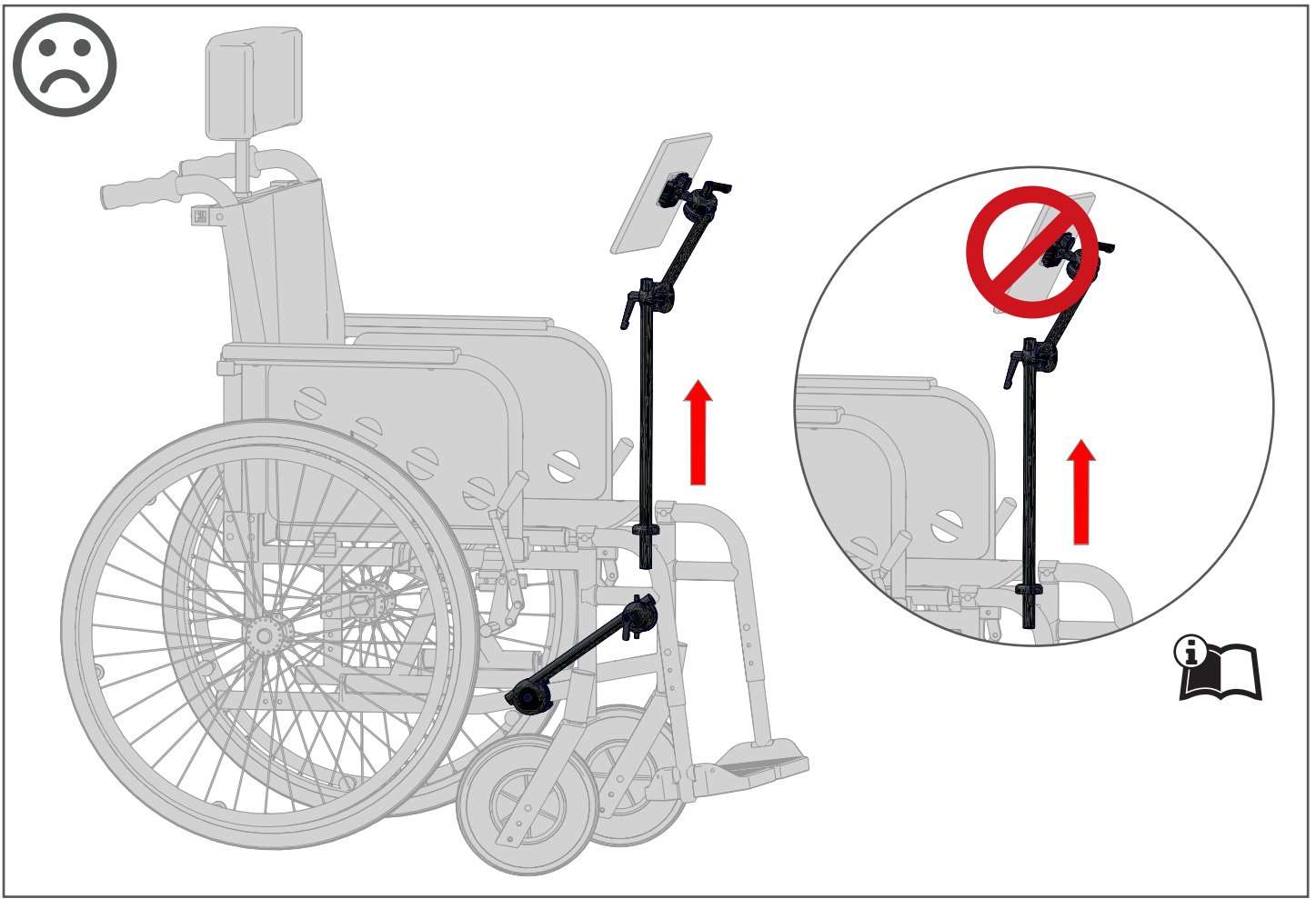
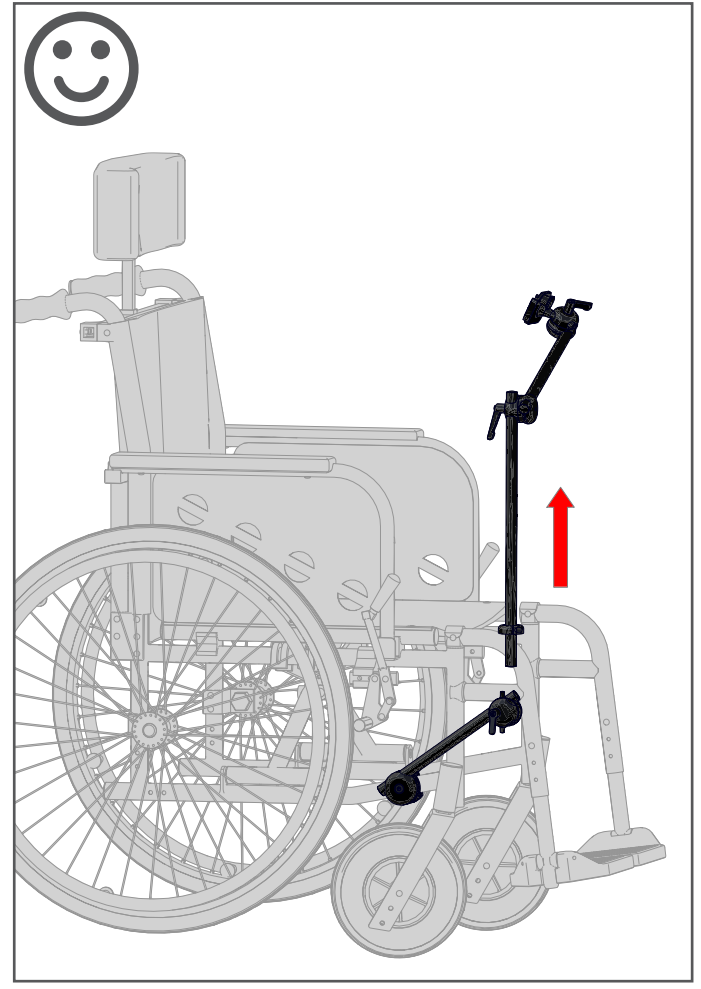
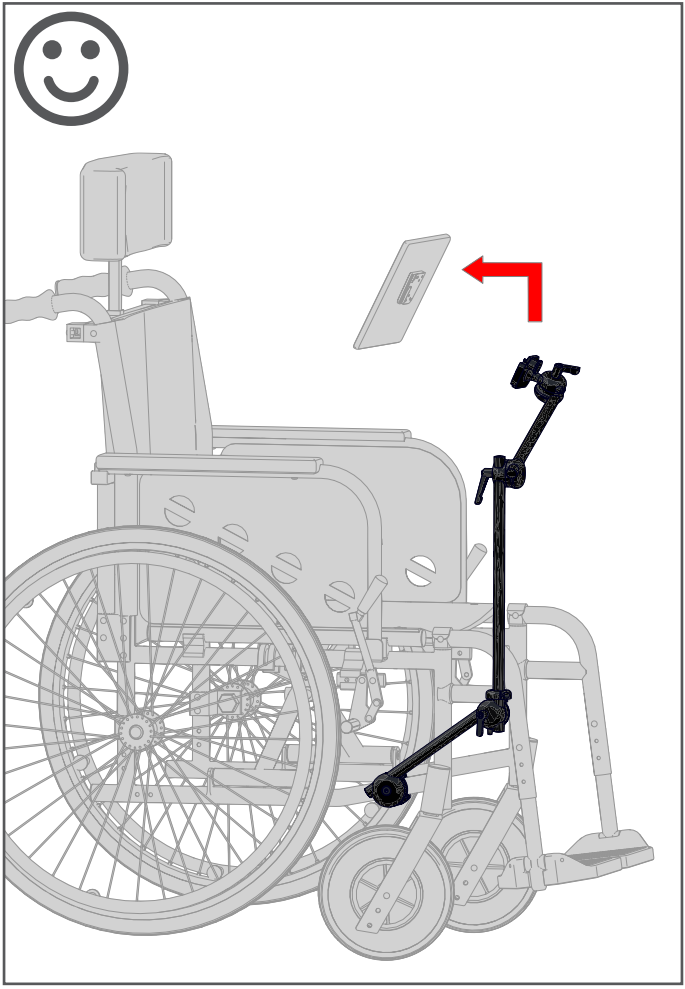
L3D

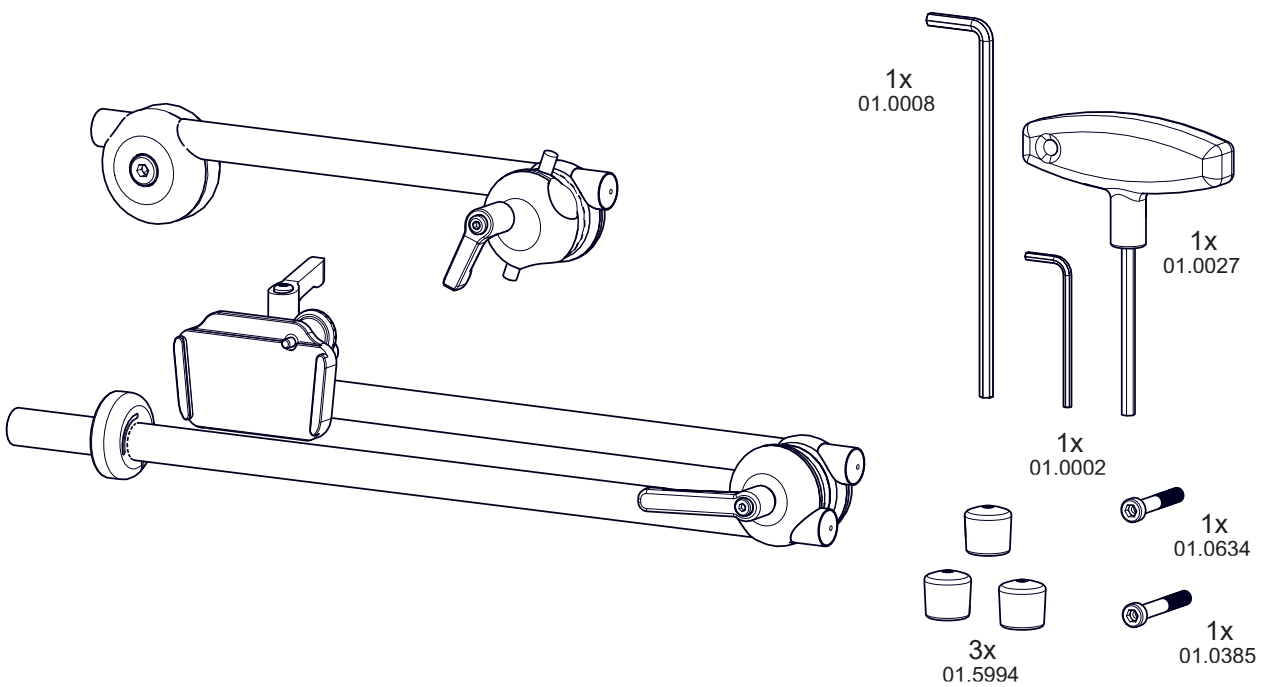
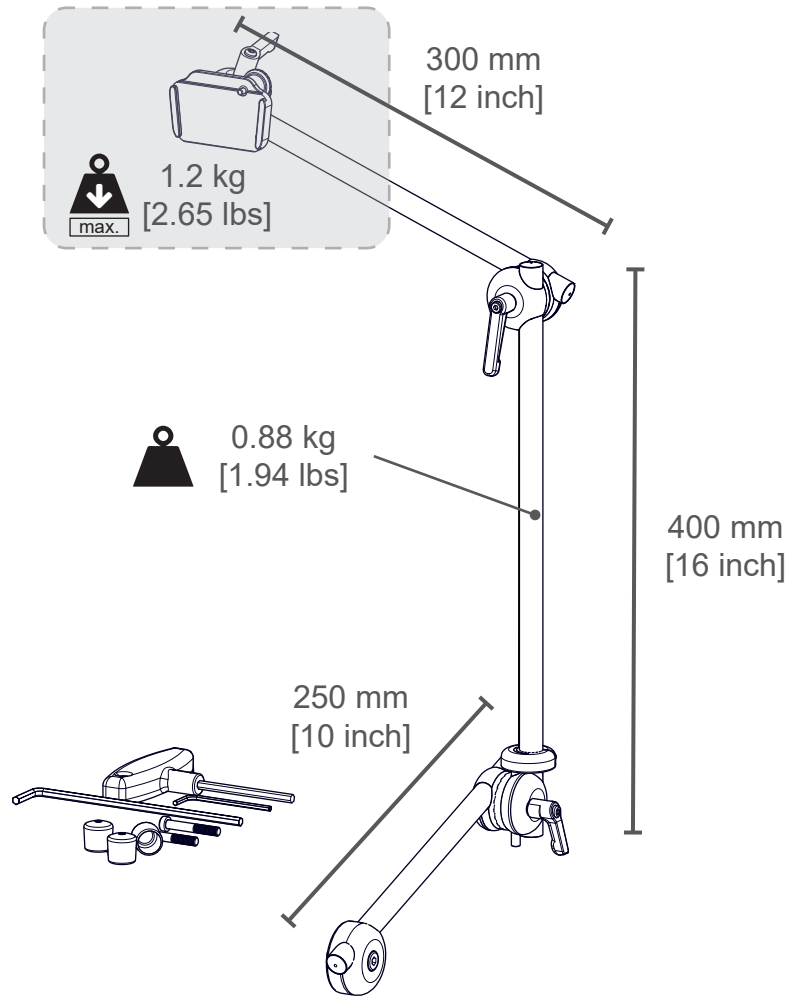
2021-01-15

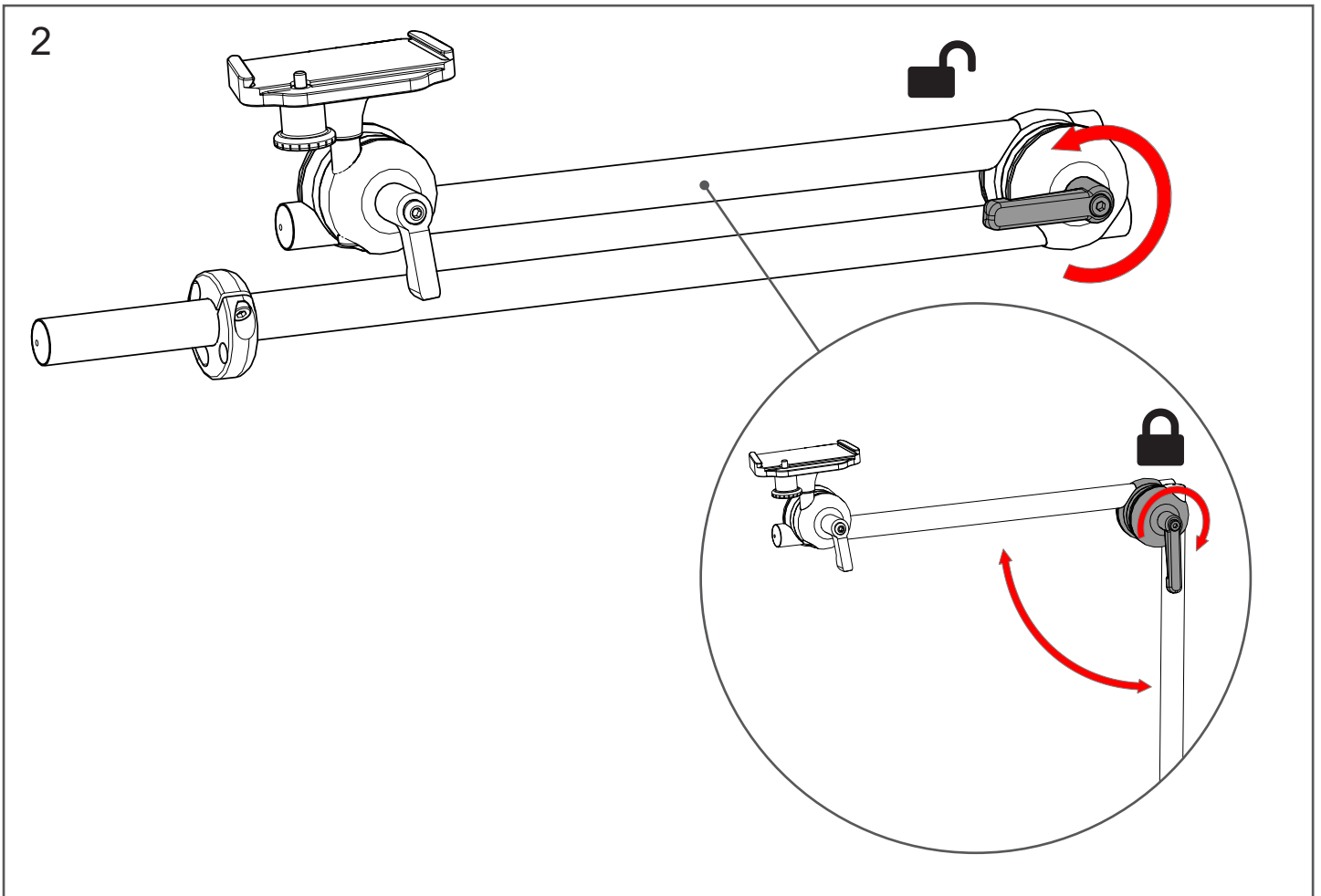
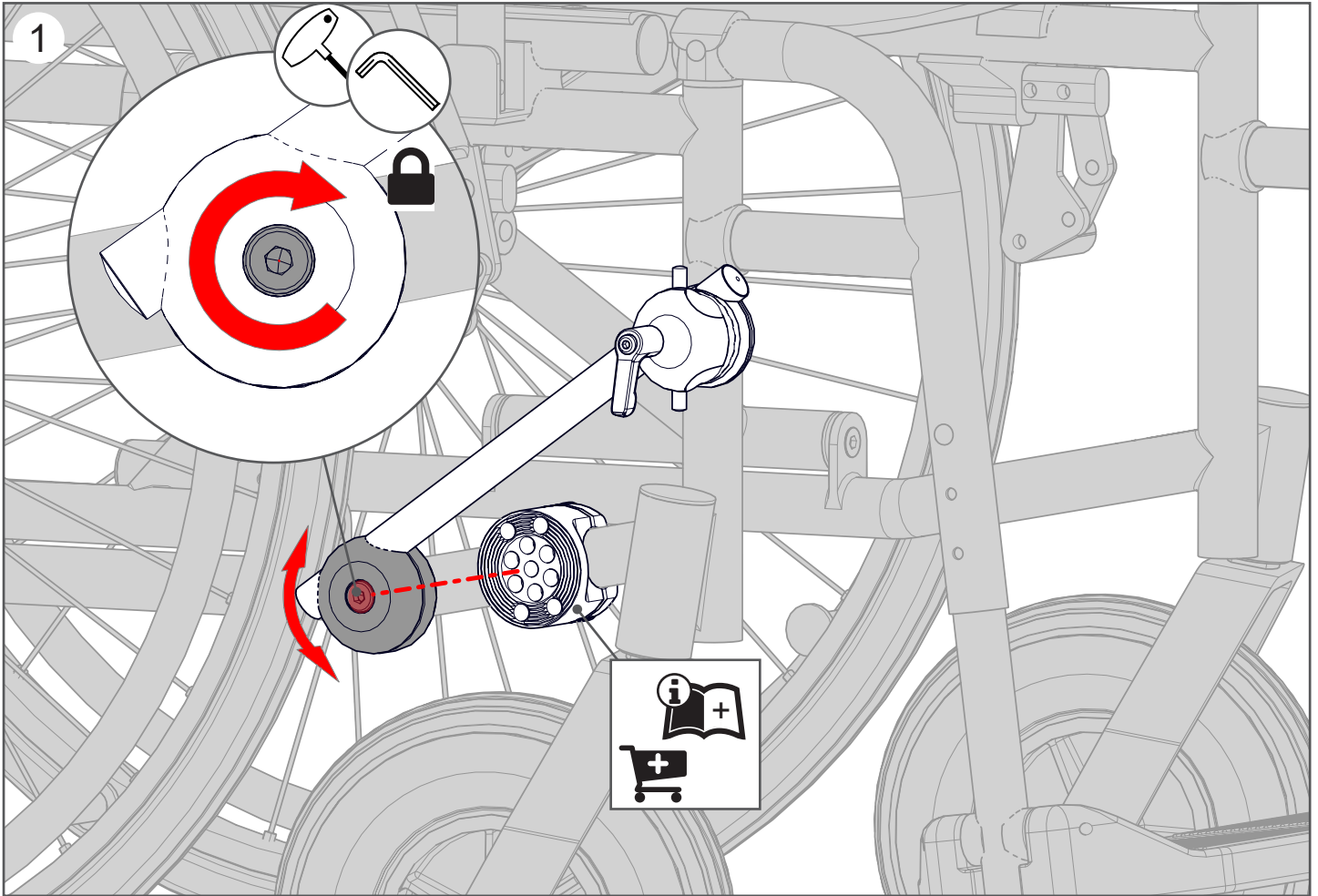
00.5137~A

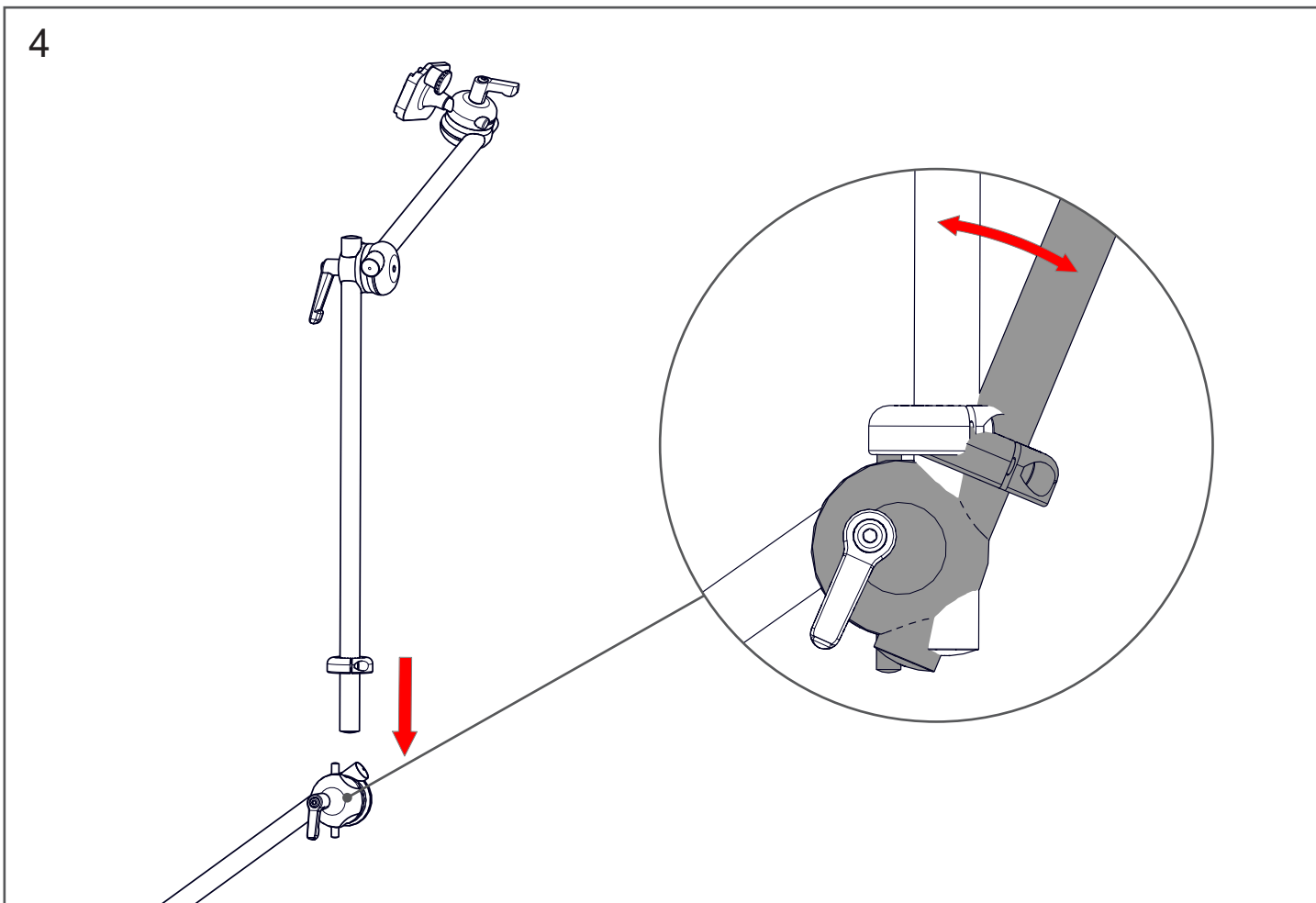
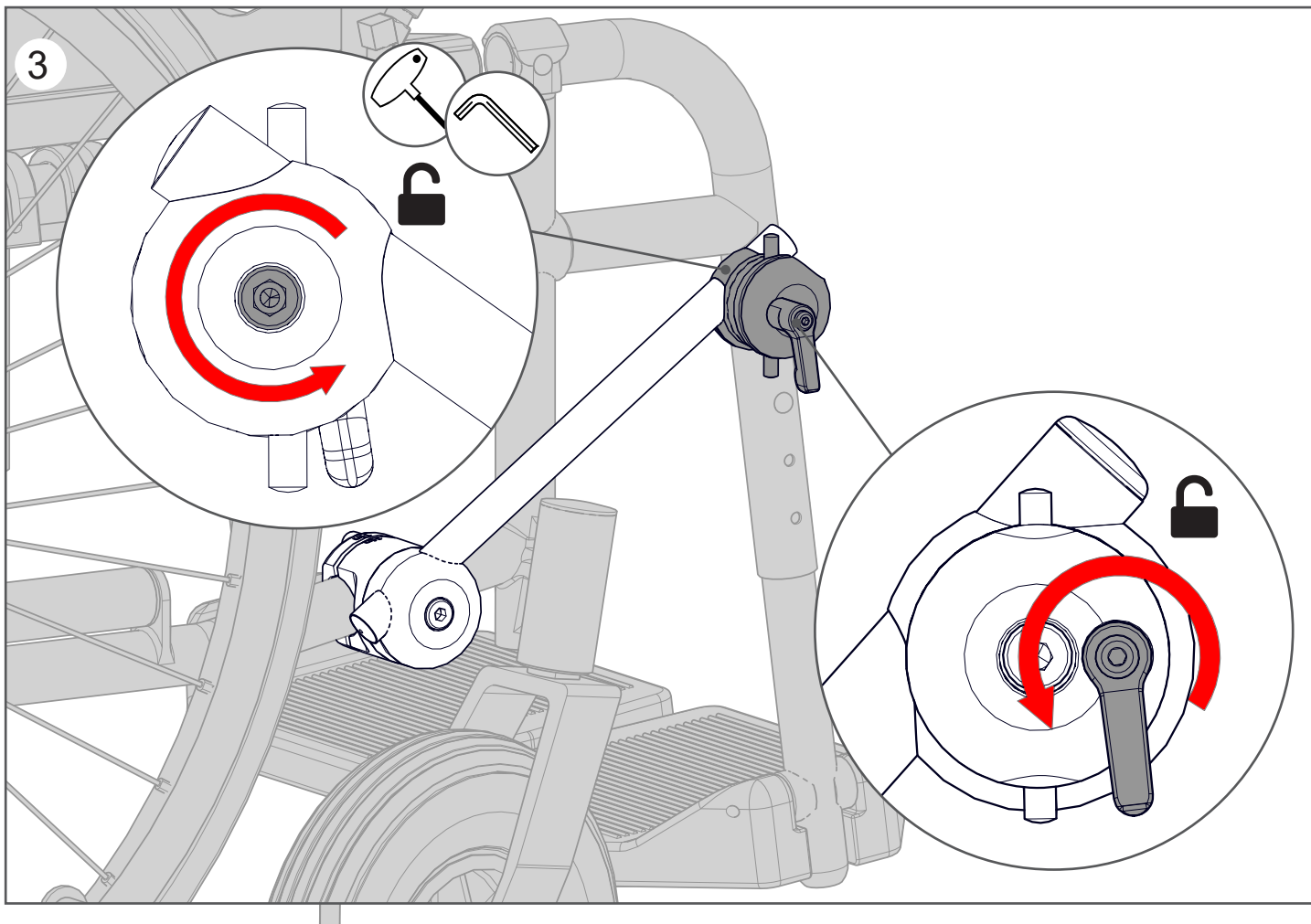




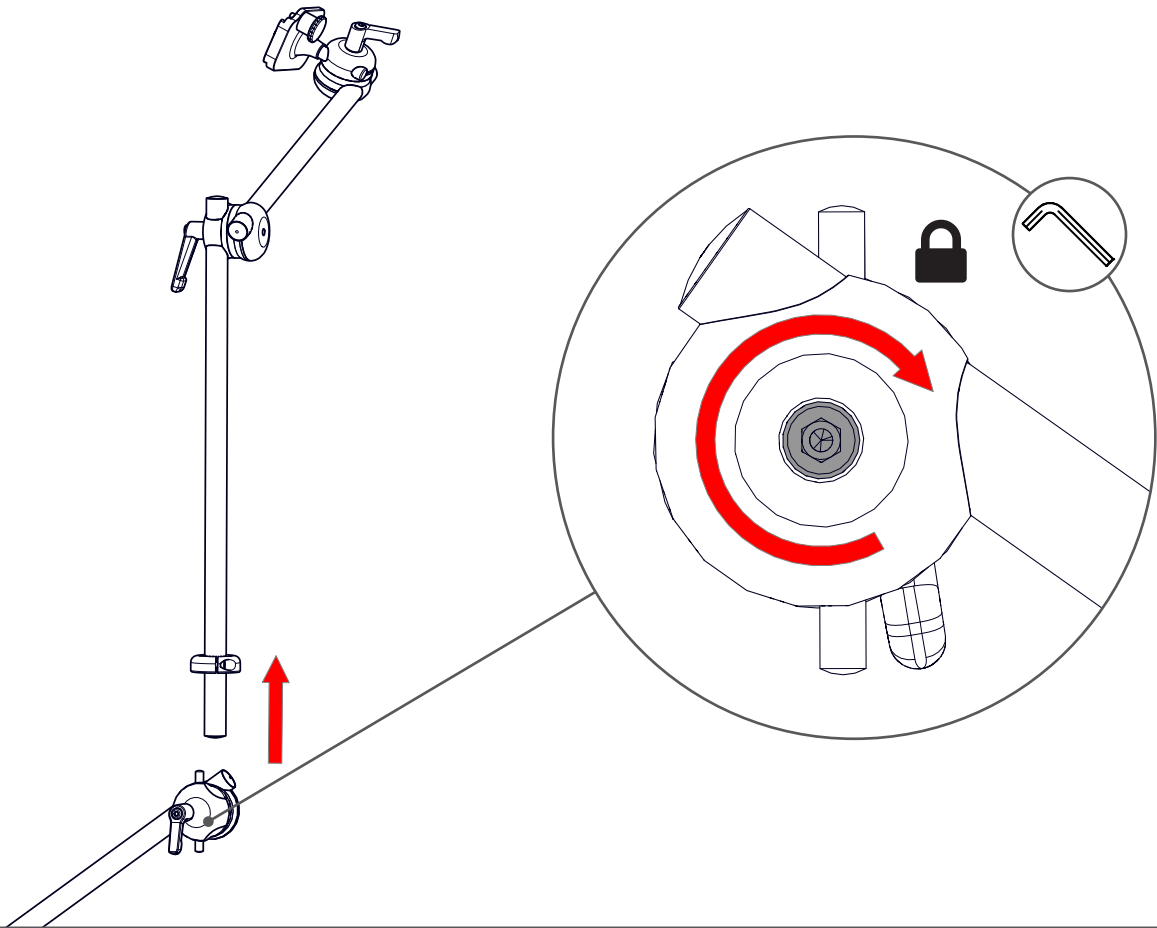




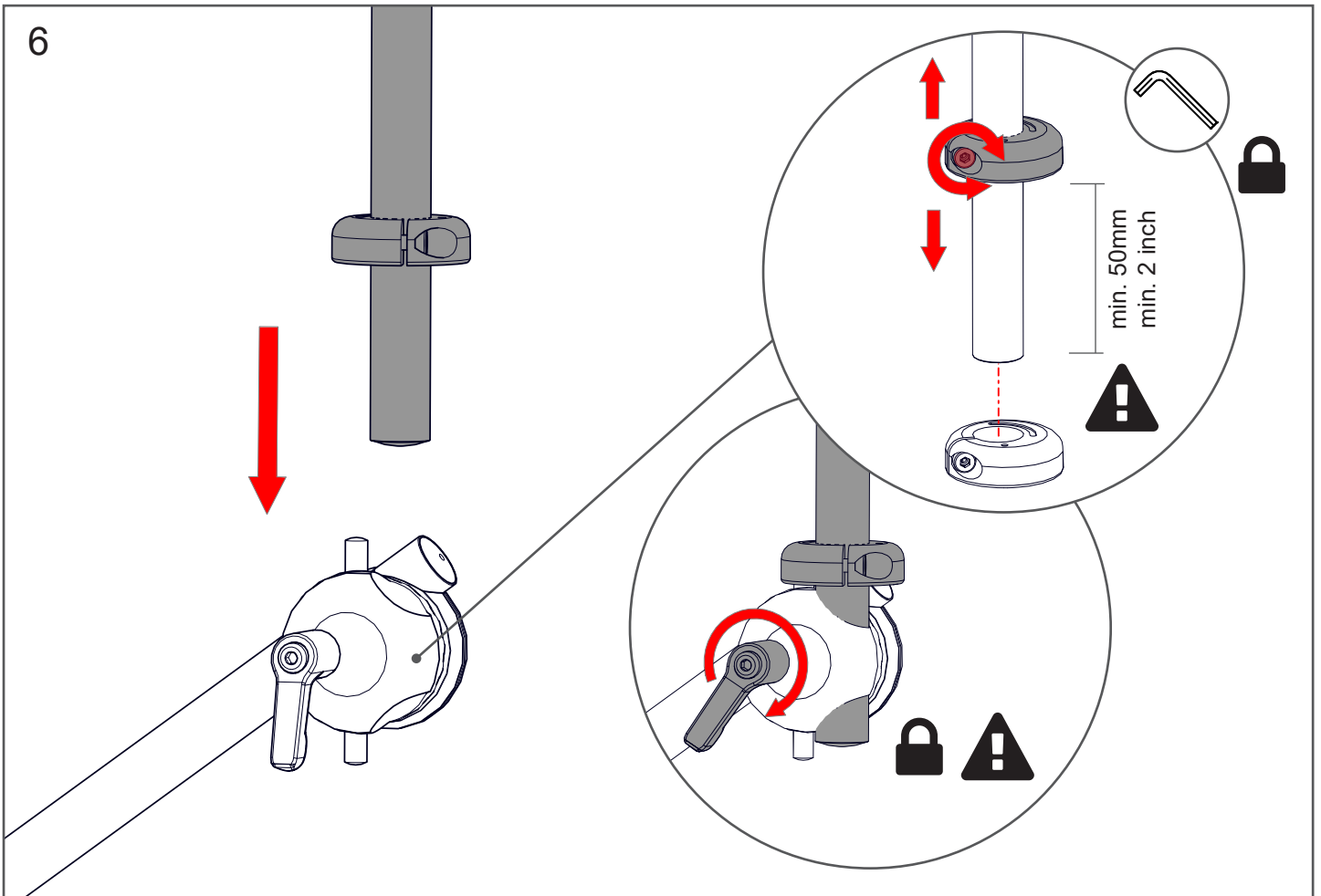




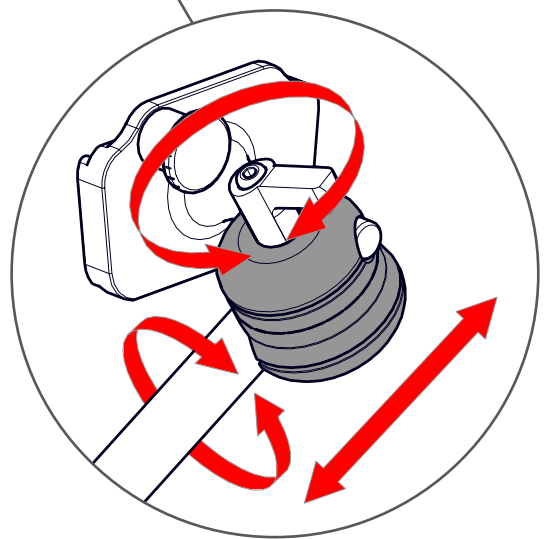
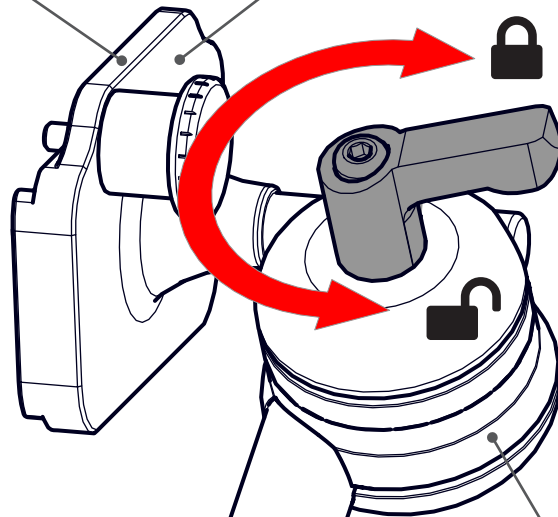
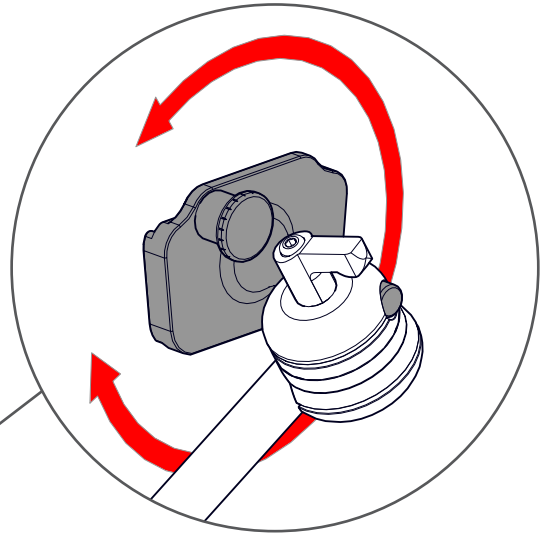
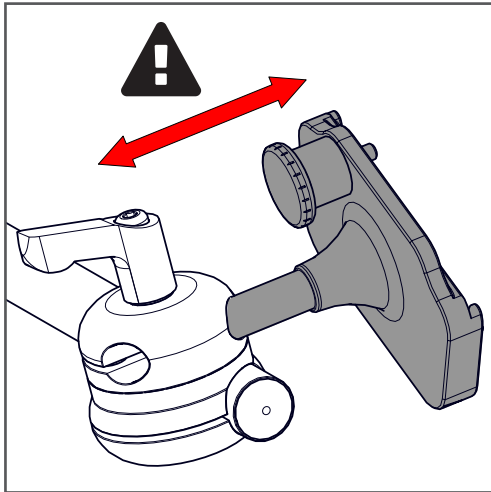
5



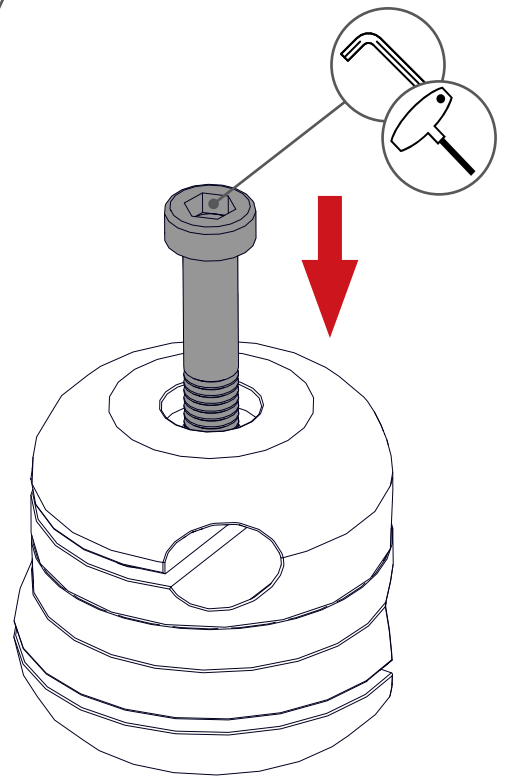
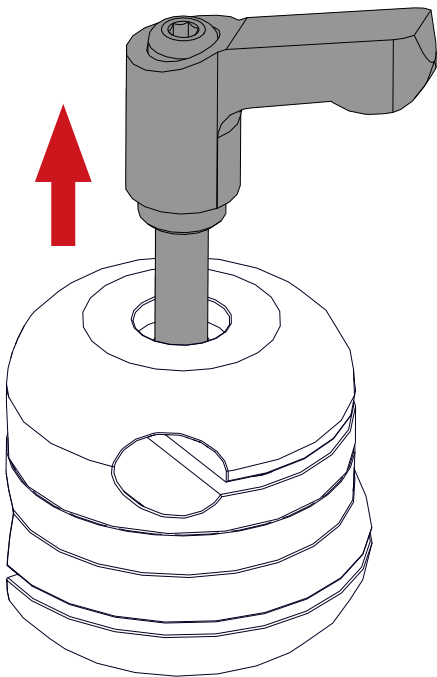
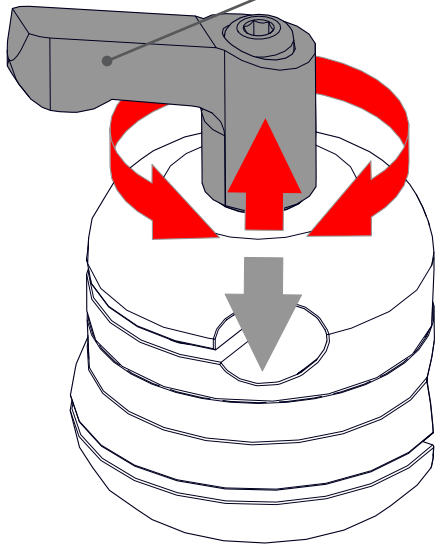
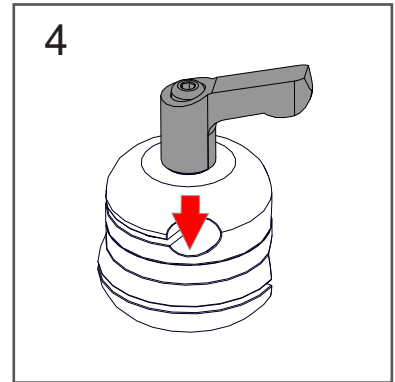
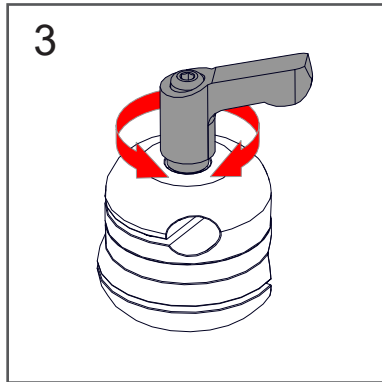
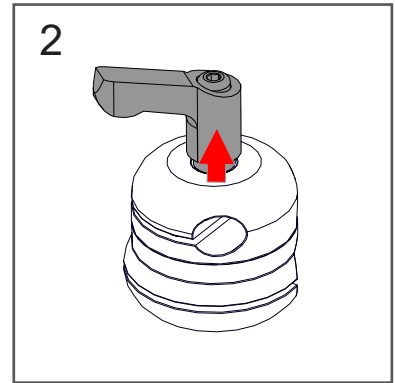
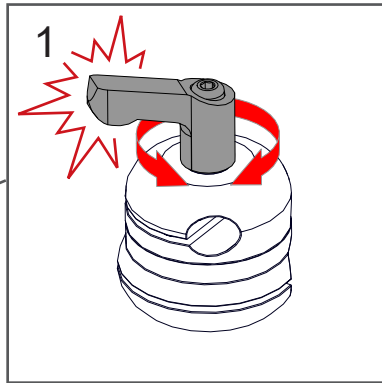
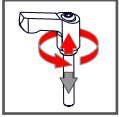
6



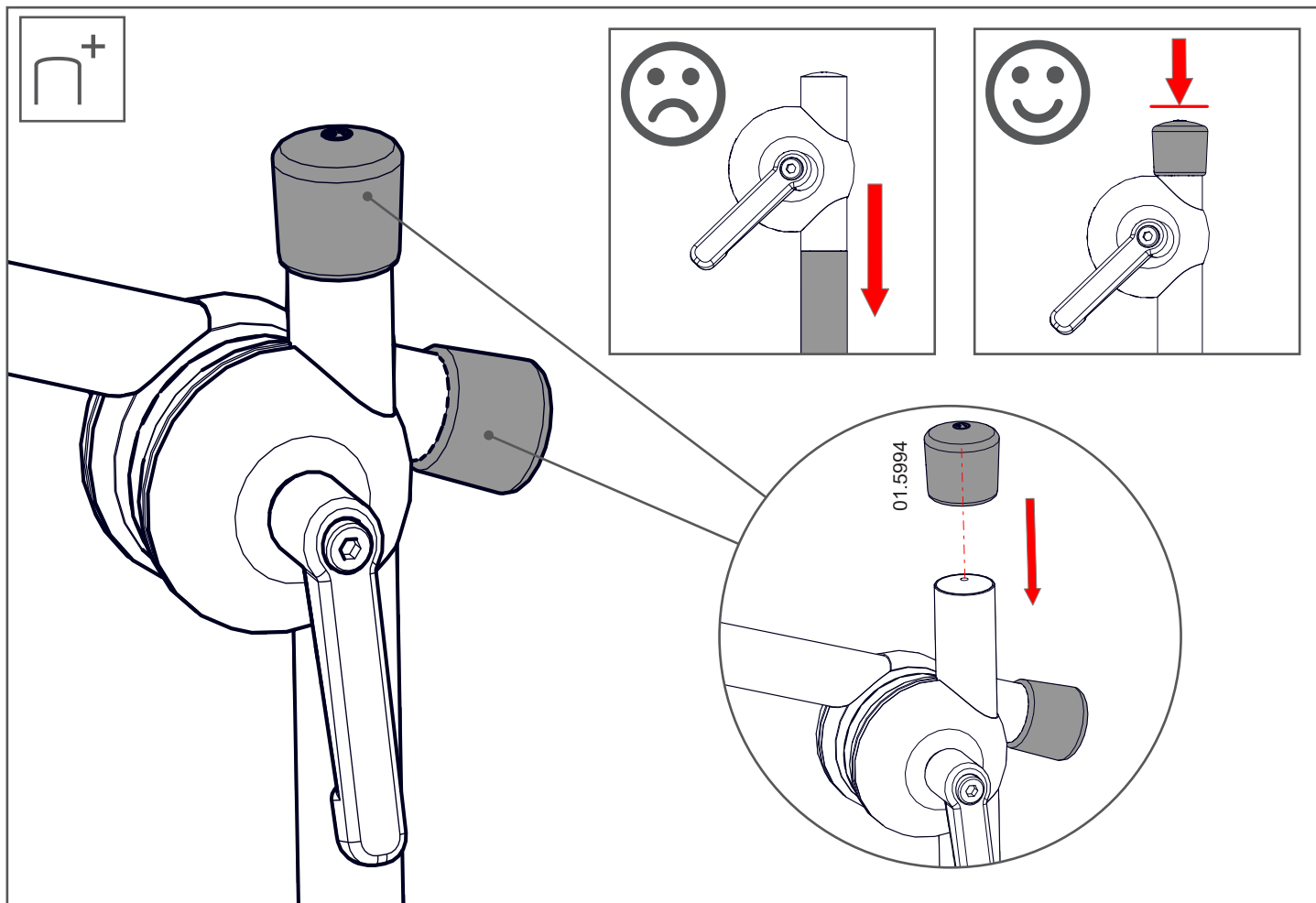
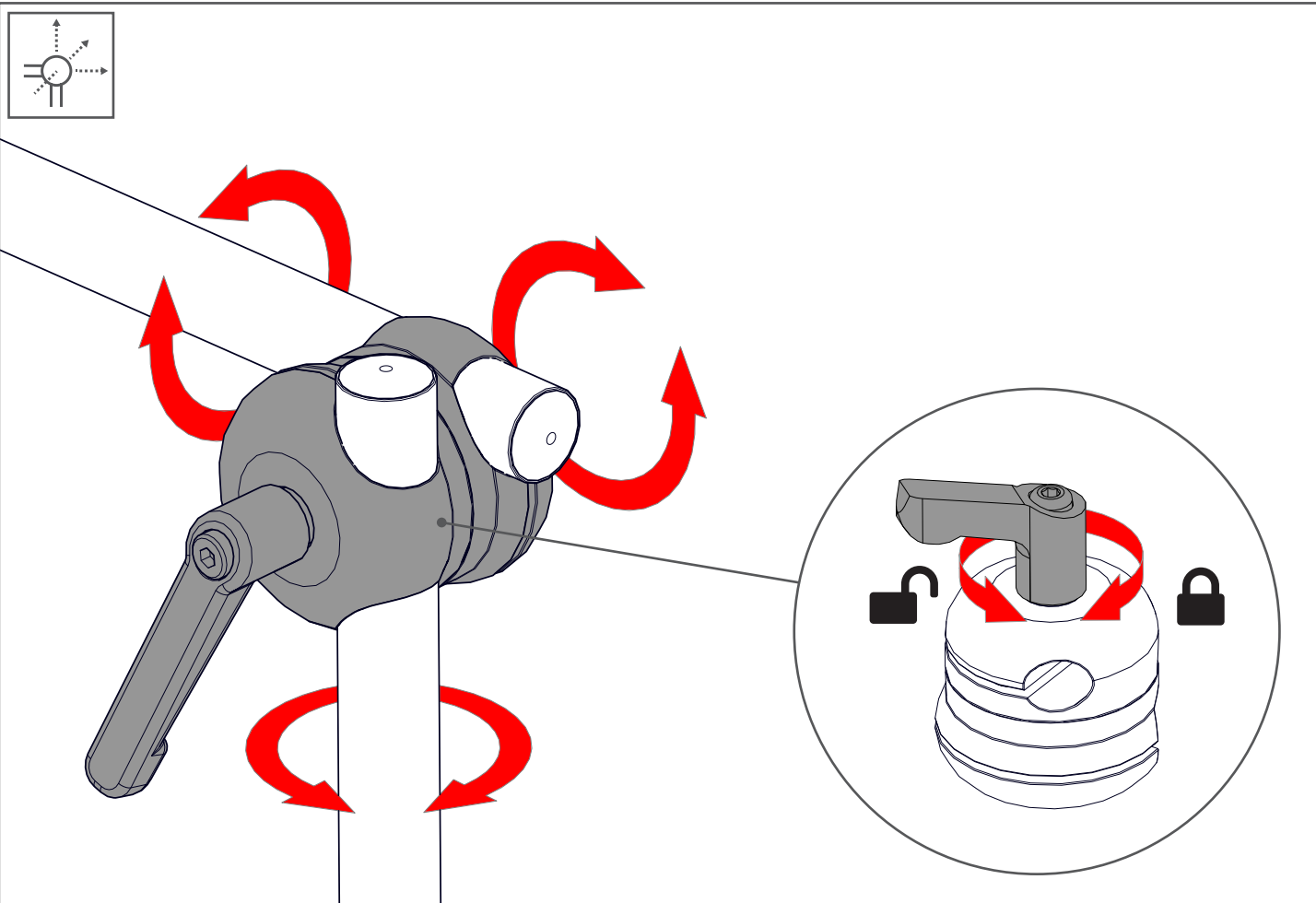


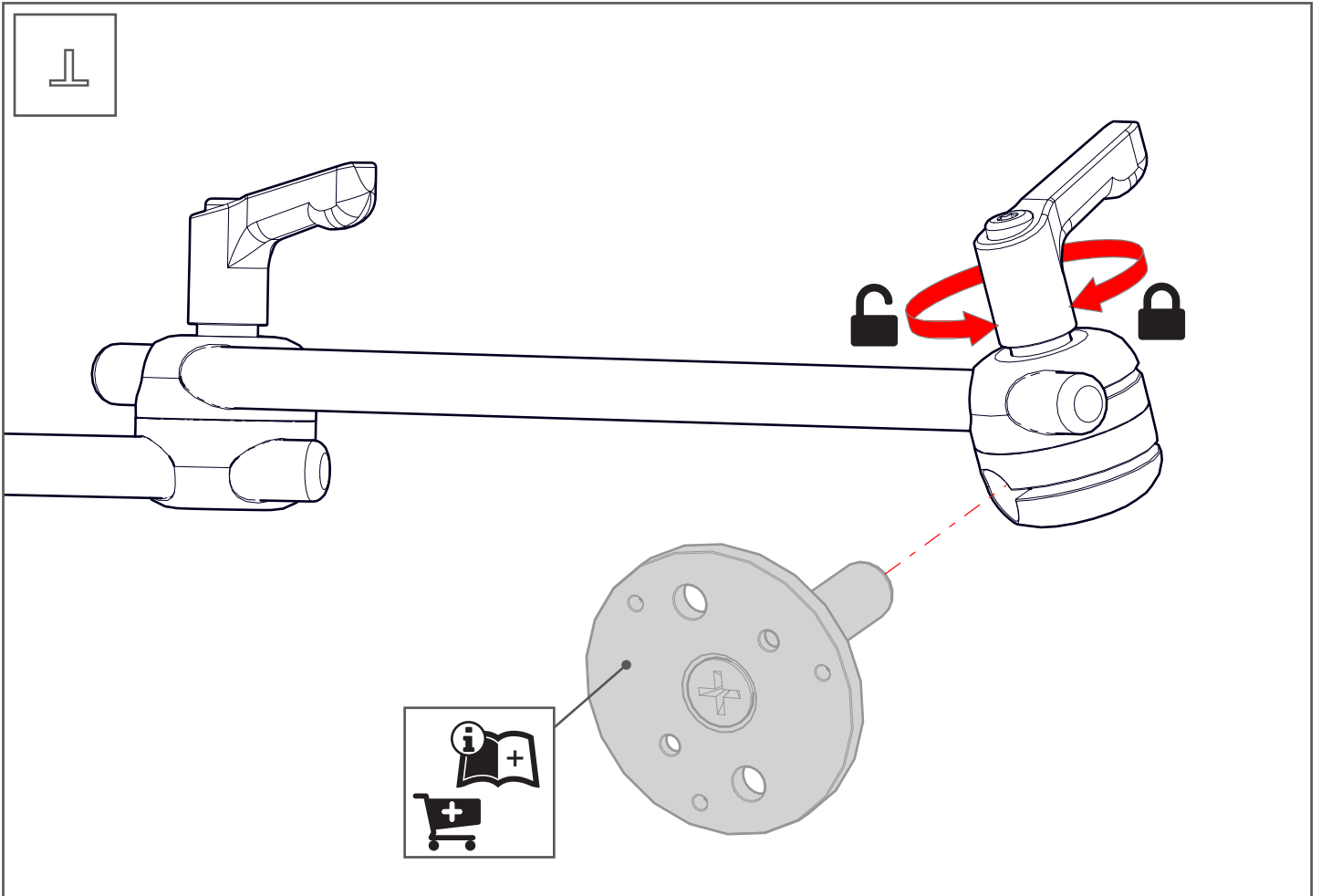


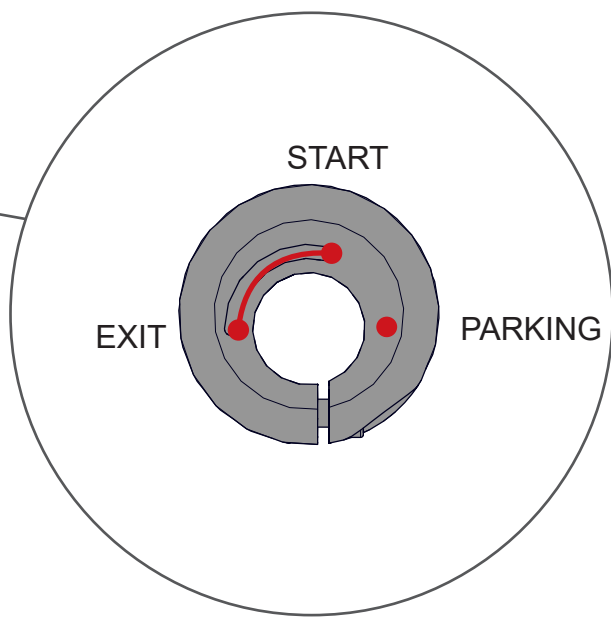
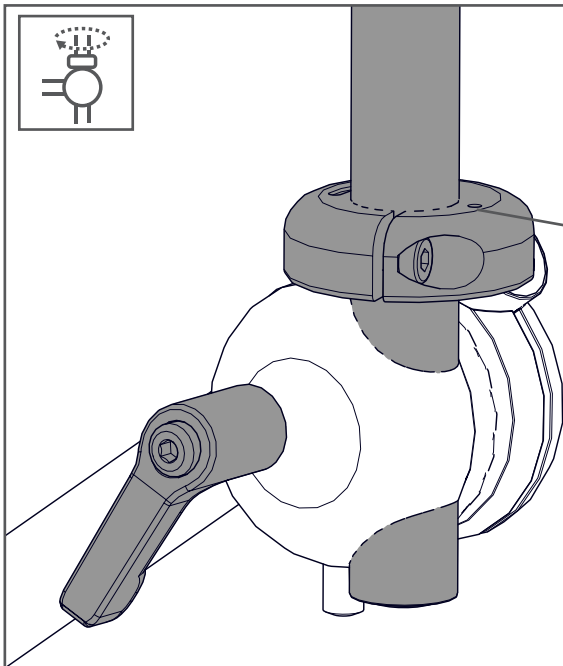
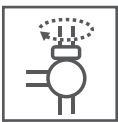




16-16	01.0385
16-10	01.0634

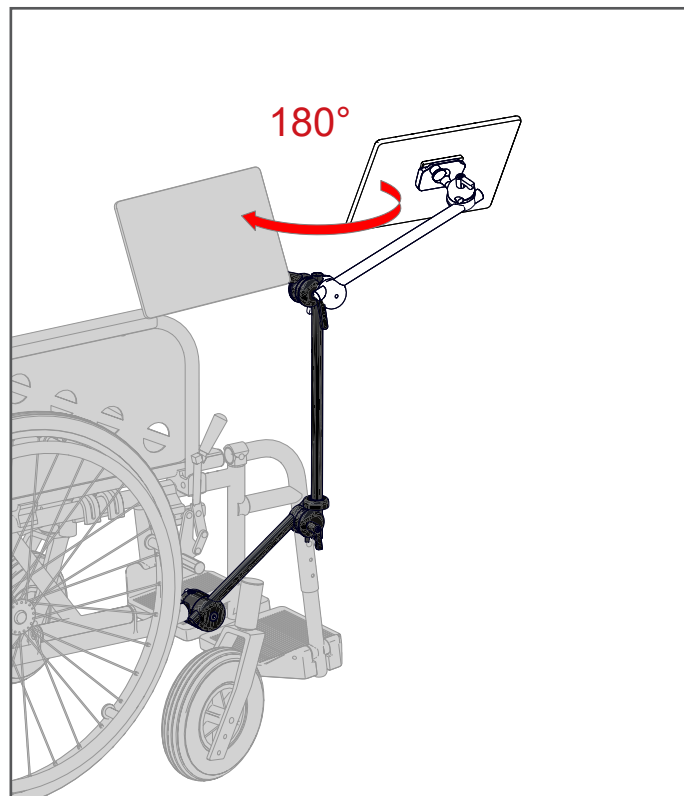
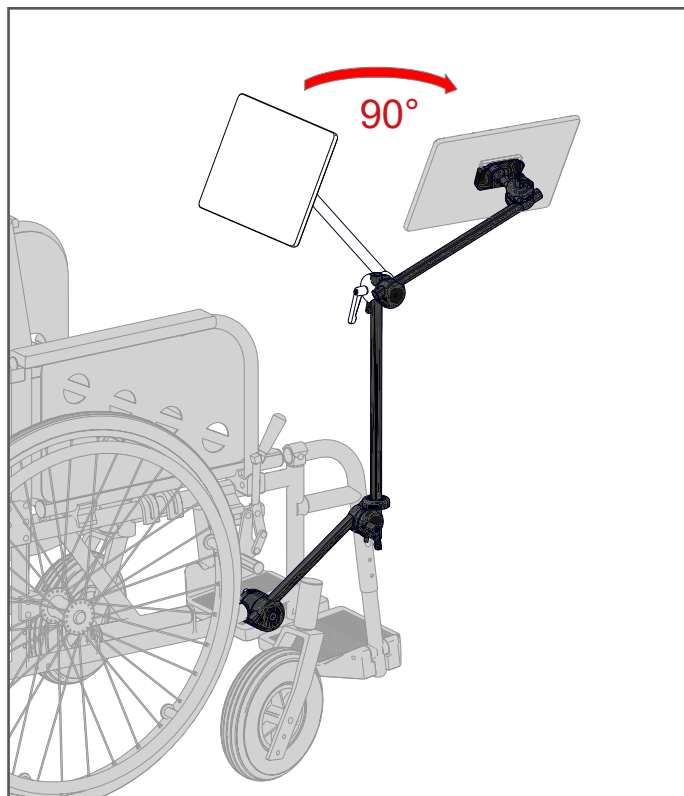
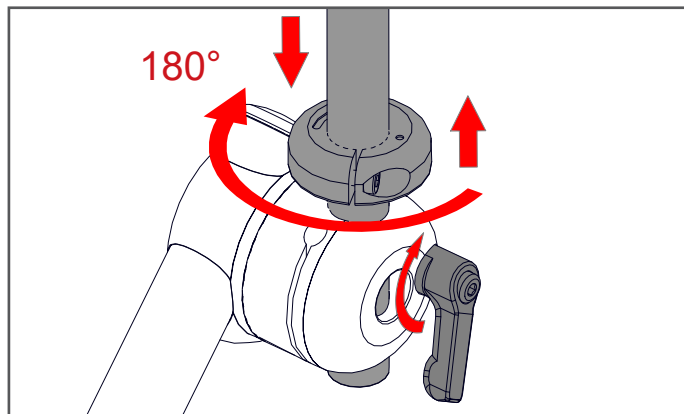
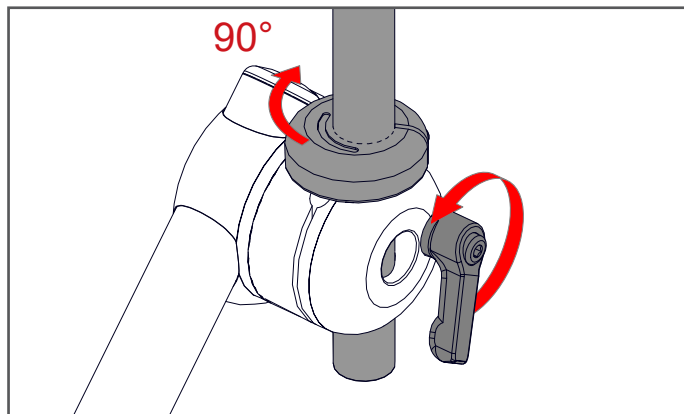


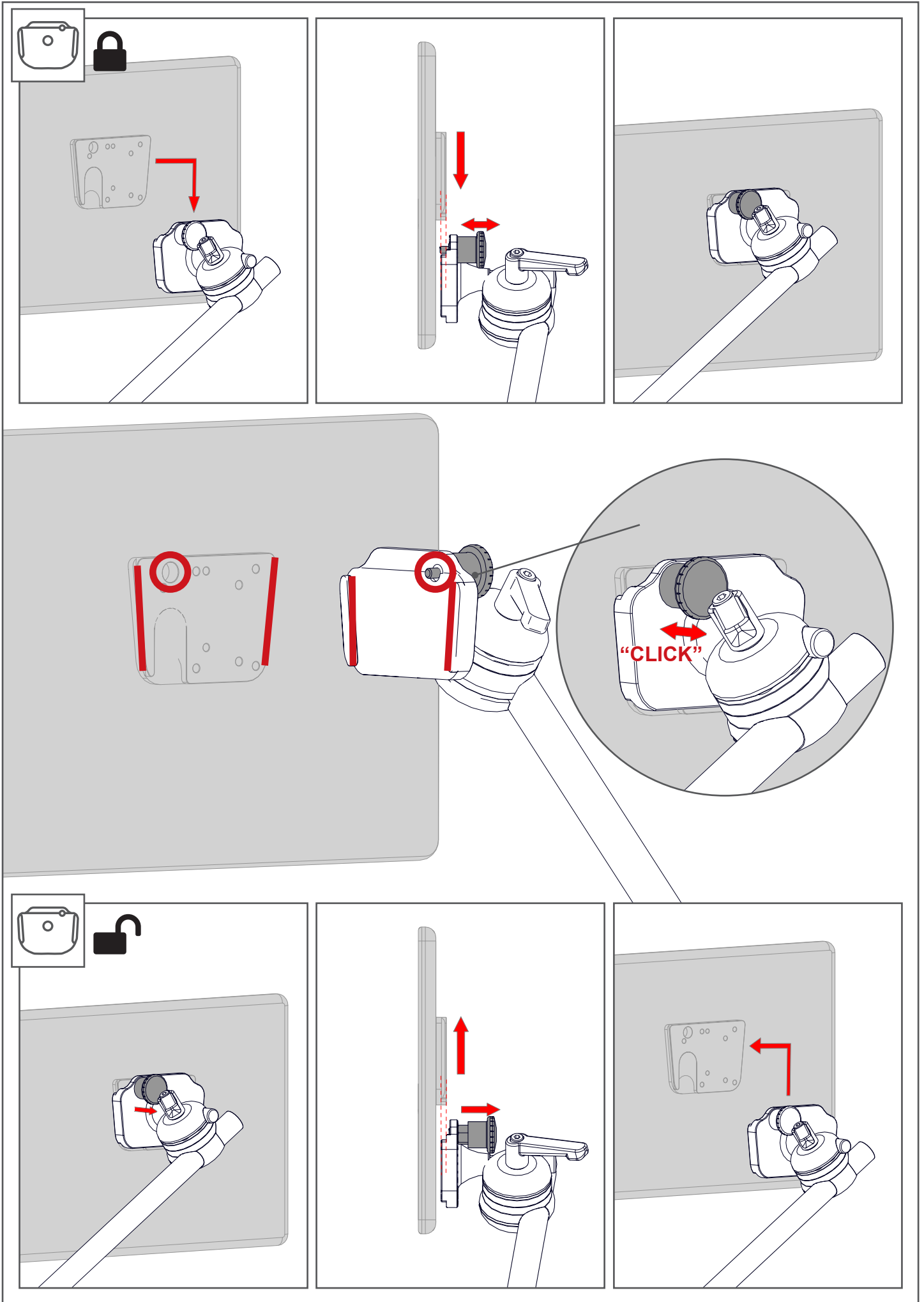


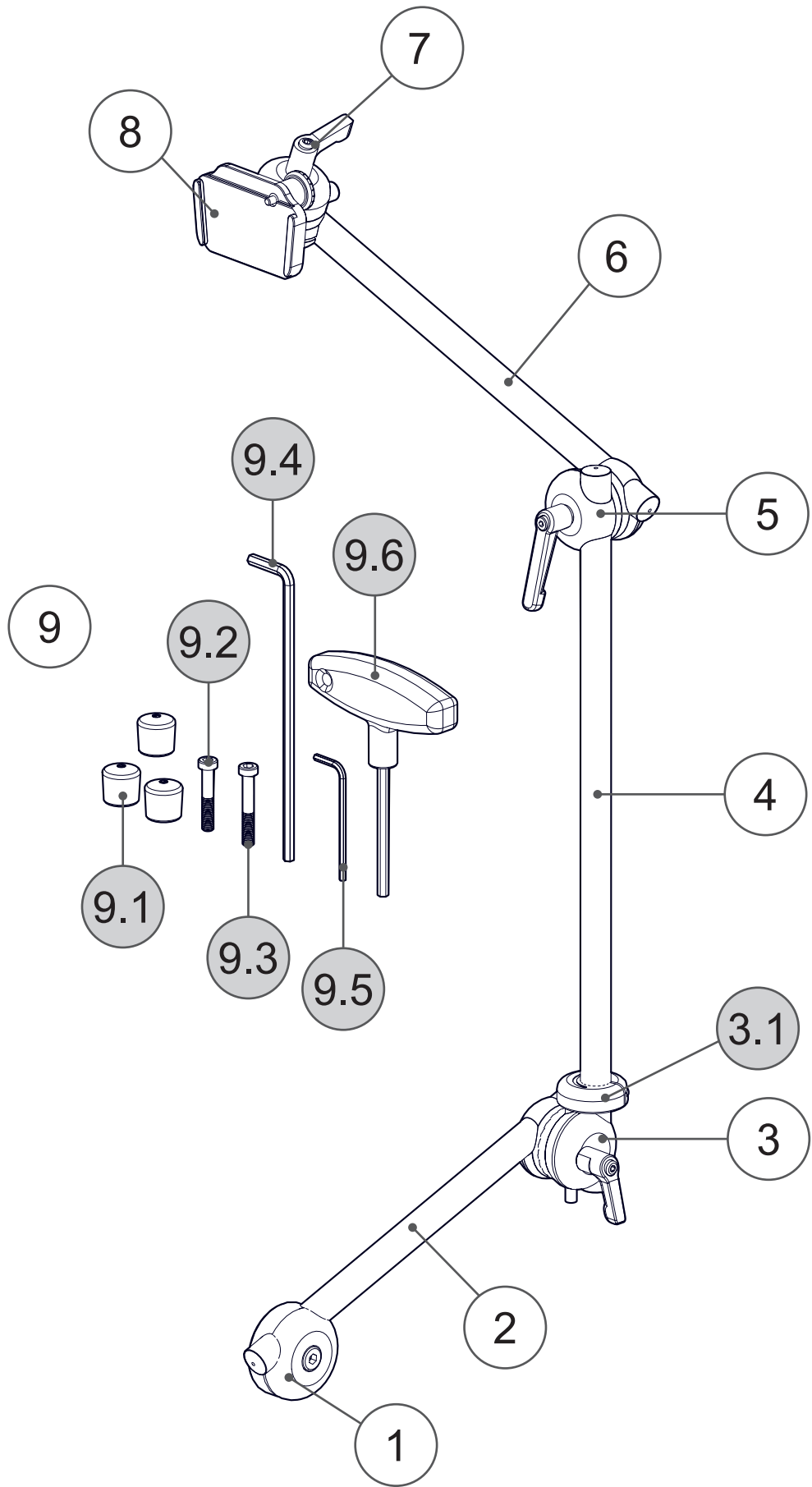


START → EXIT

EXIT → PARKING







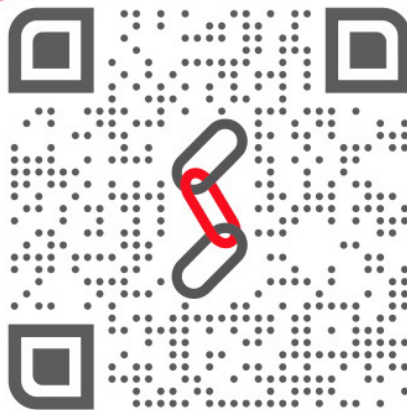
Pos.	No.	Bezeichnung	Description
1	14.1101	L3D16 Rohraufnahme	L3D16 Tube Socket
2	14.9503	Rohr Ø16x250	Tube Ø16x250
3	14.1220	L3D Schwenklager-S	L3D Swivel Unit S
3.1	14.1225	L3D Rast-Slot	L3D Indexing-Slot
4	14.9506	Rohr Ø16x400	Tube Ø16x400
5	14.1250	L3D 16-16 QS	L3D 16-16 QS
6	14.9504	Rohr Ø16x300	Tube Ø16x300
7	14.1271	L3D 16-10 SQS	L3D 16-10 SQS
8	14.1516	L3D UGA	L3D UDS
9	13.3215BS	Schraubensatz - H3D	Set of bolts - H3D
9.1	01.5994	Abrutschkappe Ø16mm	Restraining cap Ø16mm
9.2	01.0634	Zylinderschraube M6x35	Cylinder head bolt M6x35
9.3	01.0385	Zylinderschraube M6x40	Cylinder head bolt M6x40
9.4	01.0008	Innensechskantschlüssel 5mm	Allen wrench 5mm
9.5	01.0002	Innensechskantschlüssel 3mm	Allen wrench 3mm
9.6	01.0027	T-Griff	T-Handle





We ♥ your  
feedback

[www.rehadapt.com/vms/feedback](http://www.rehadapt.com/vms/feedback)



Rehadapt Engineering  
GmbH & Co. KG

📄 Heinrich-Hertz-Str. 104  
34123 Kassel, Germany

☎ Tel.: +49 561 220 717 0  
📠 Fax: +49 561 220 717 99

✉ [officeteam@rehadapt.com](mailto:officeteam@rehadapt.com)  
🌐 <https://rehadapt.com>



Rehadapt  
North America

📄 40 Oser Ave  
Hauppauge, NY 11788, USA

☎ Tel.: 1 (888) 635-6962  
📠 Fax: 1 (888) 635-6962

✉ [officeteam.na@rehadapt.com](mailto:officeteam.na@rehadapt.com)  
🌐 <https://rehadapt.com>