

# Hybrid 3D

- 13.3211 Hybrid 3D Short UDS
- 13.3215 Hybrid 3D Short SLS
- 13.3211CM Custom Hybrid 3D UDS
- 13.3215CM Custom Hybrid 3D SLS

Sicherheitshinweise  
Safety Instructions



Montage  
Assembly Instructions



Handhabung  
Handling



M3D

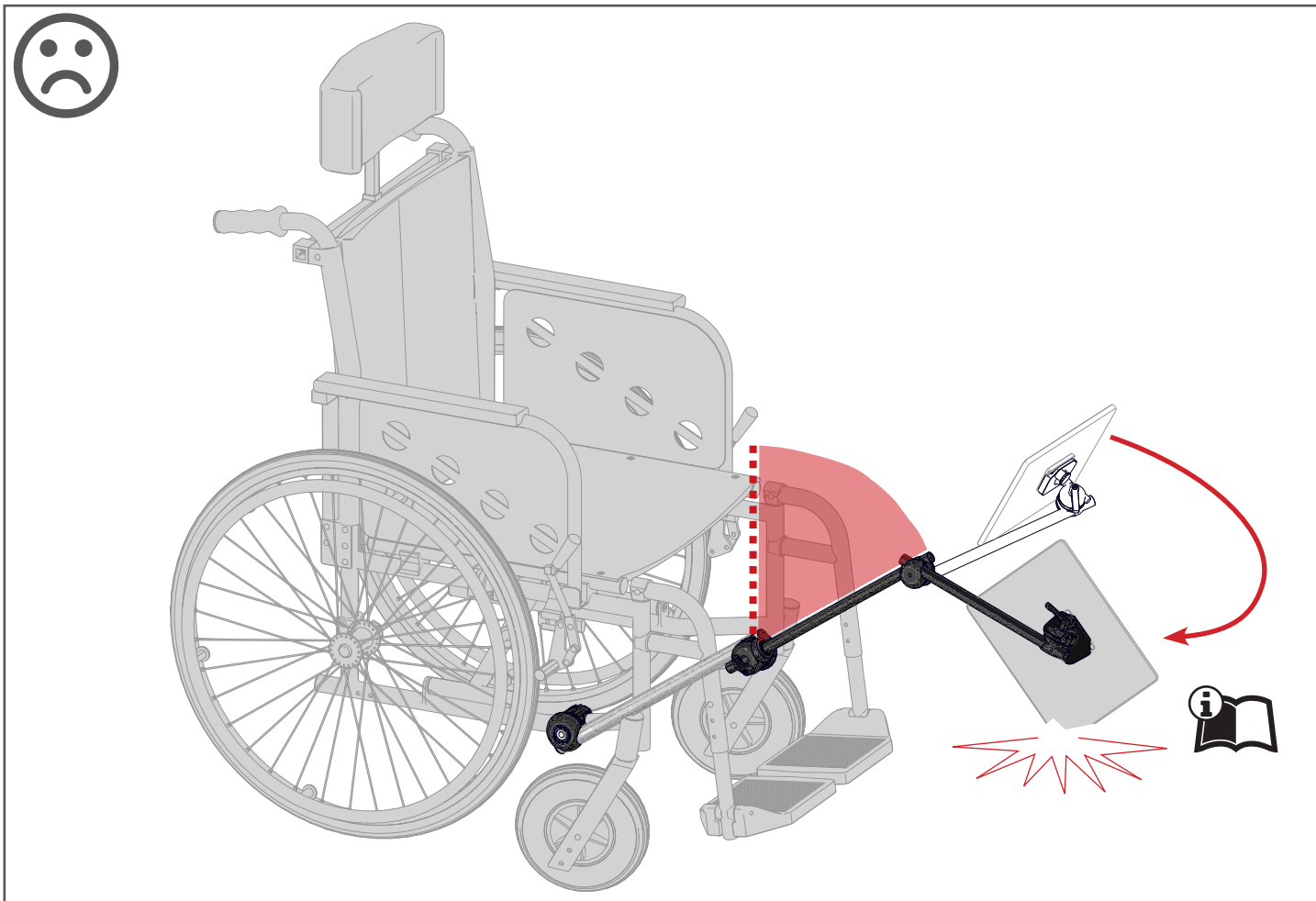
H3D

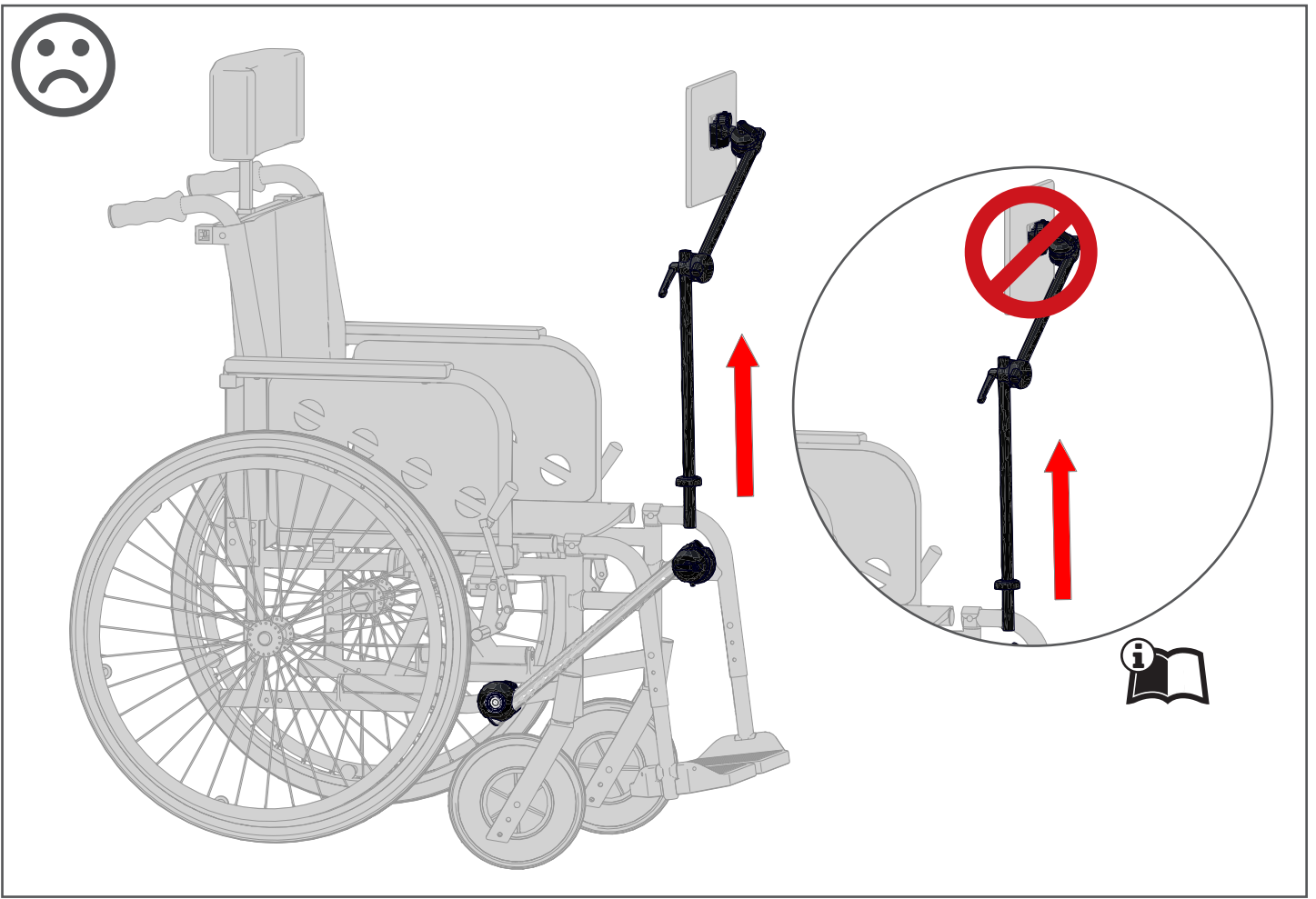
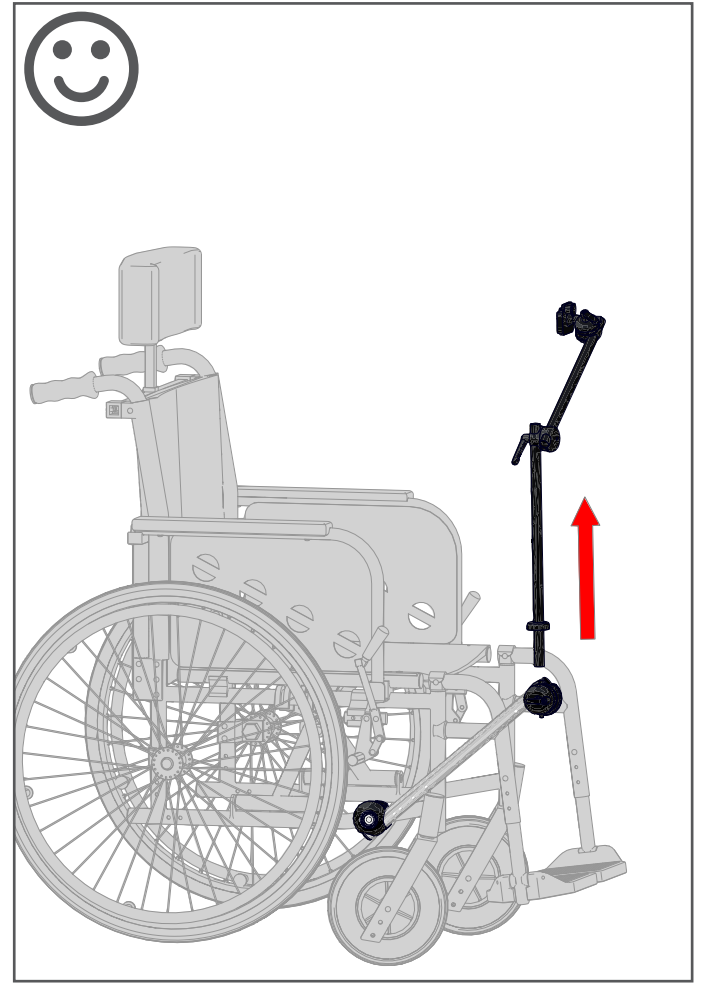
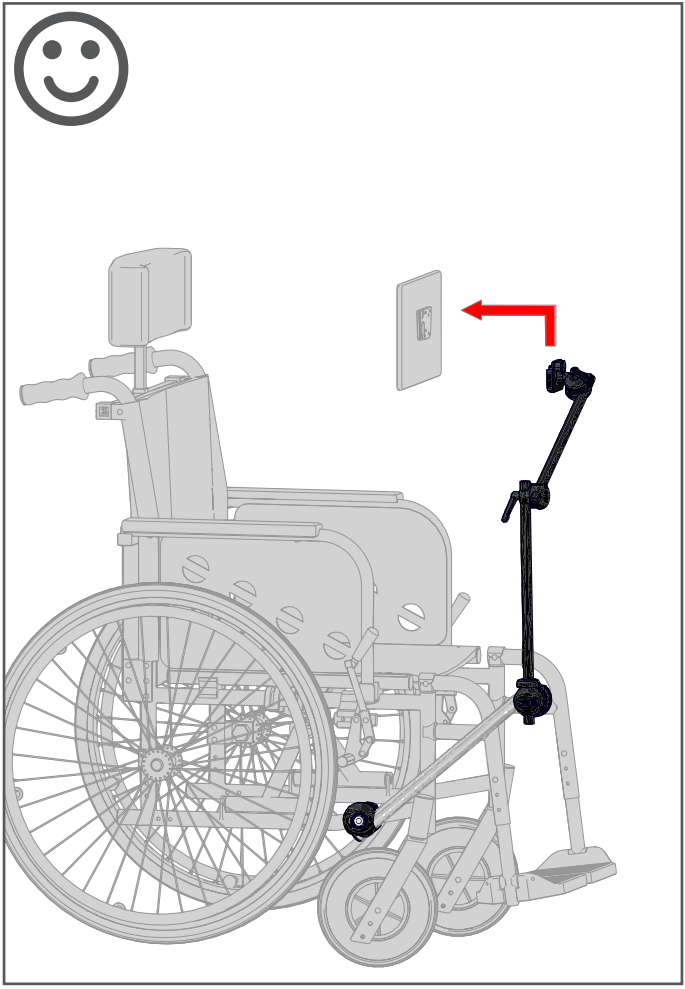
L3D

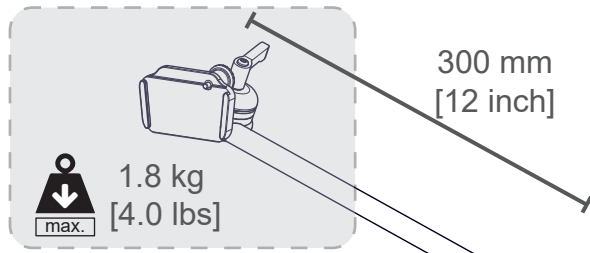
2021-01-15

00.5136~A







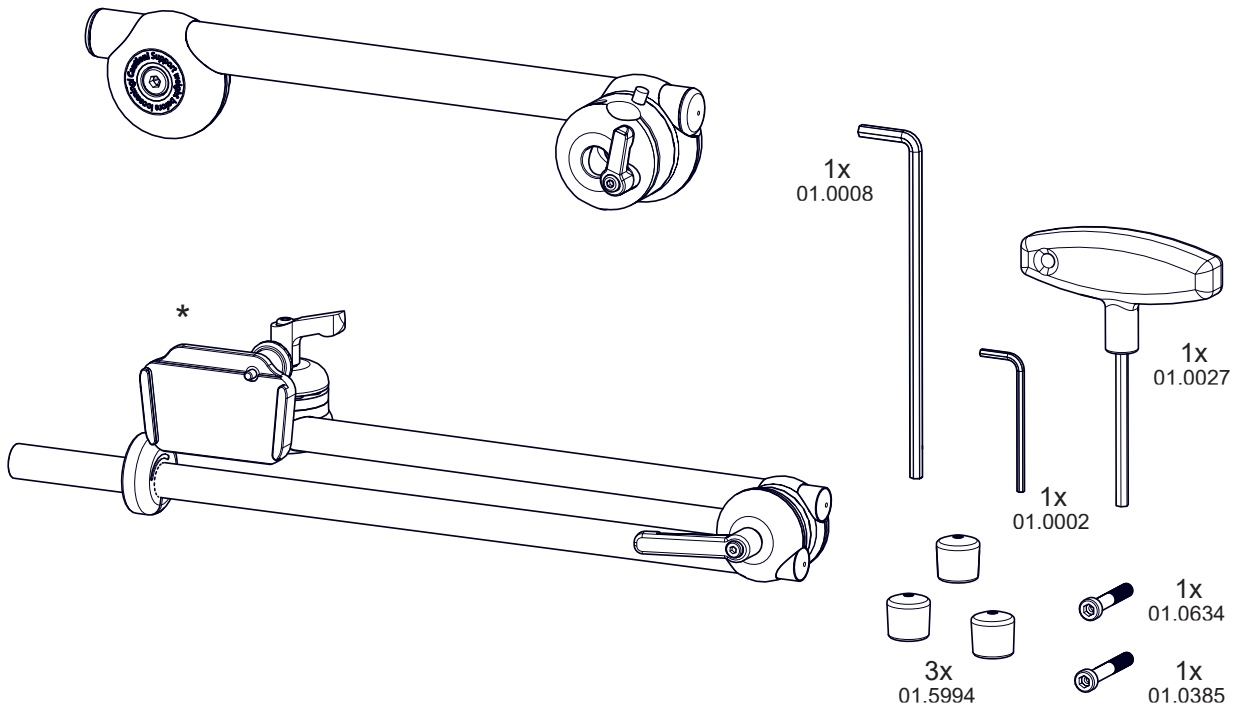
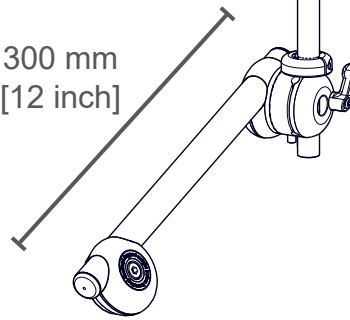
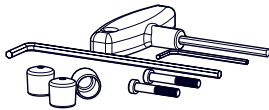


13.3211	*	1.09 kg [2.40 lbs]
13.3215		0.99 kg [2.18 lbs]

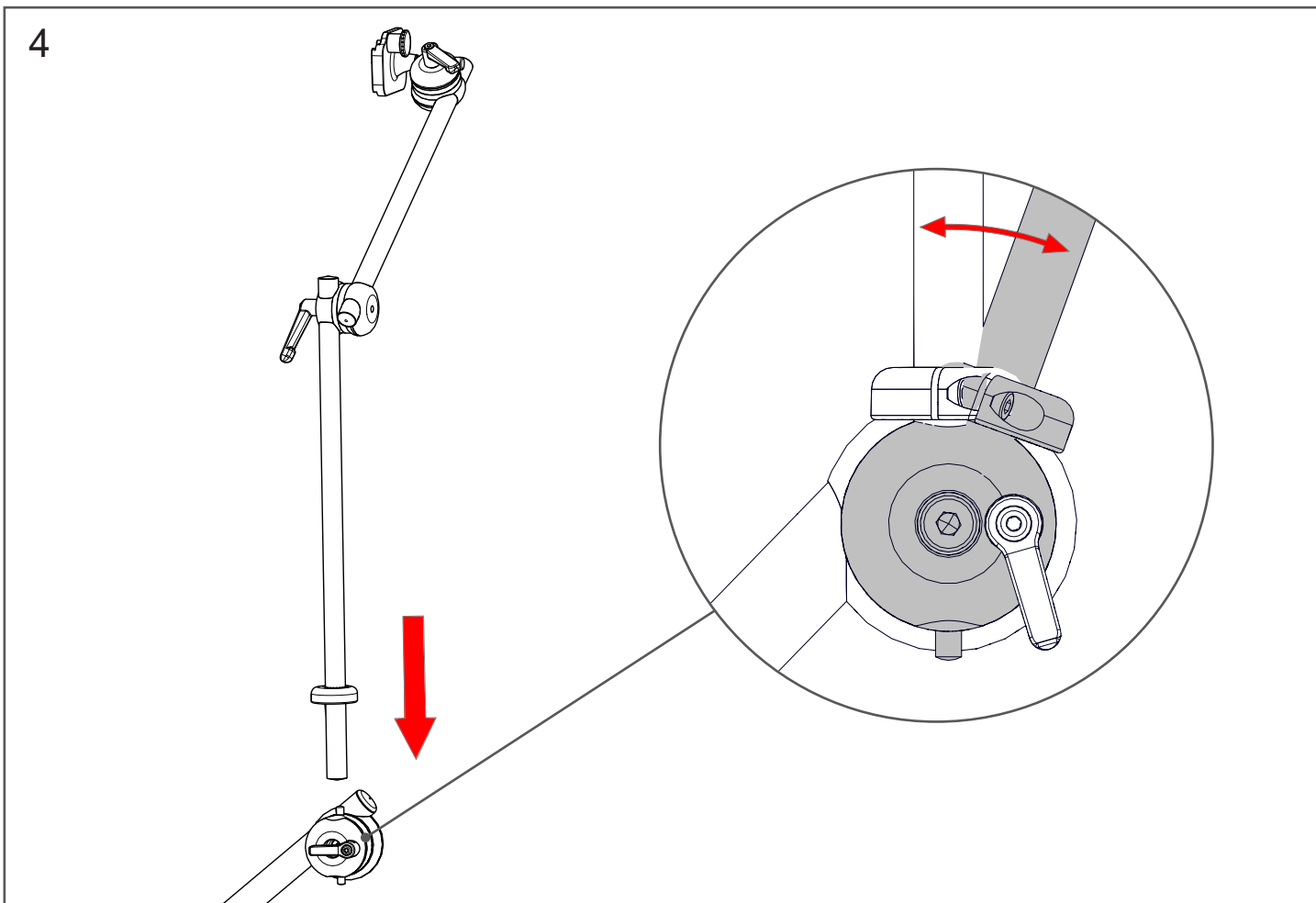
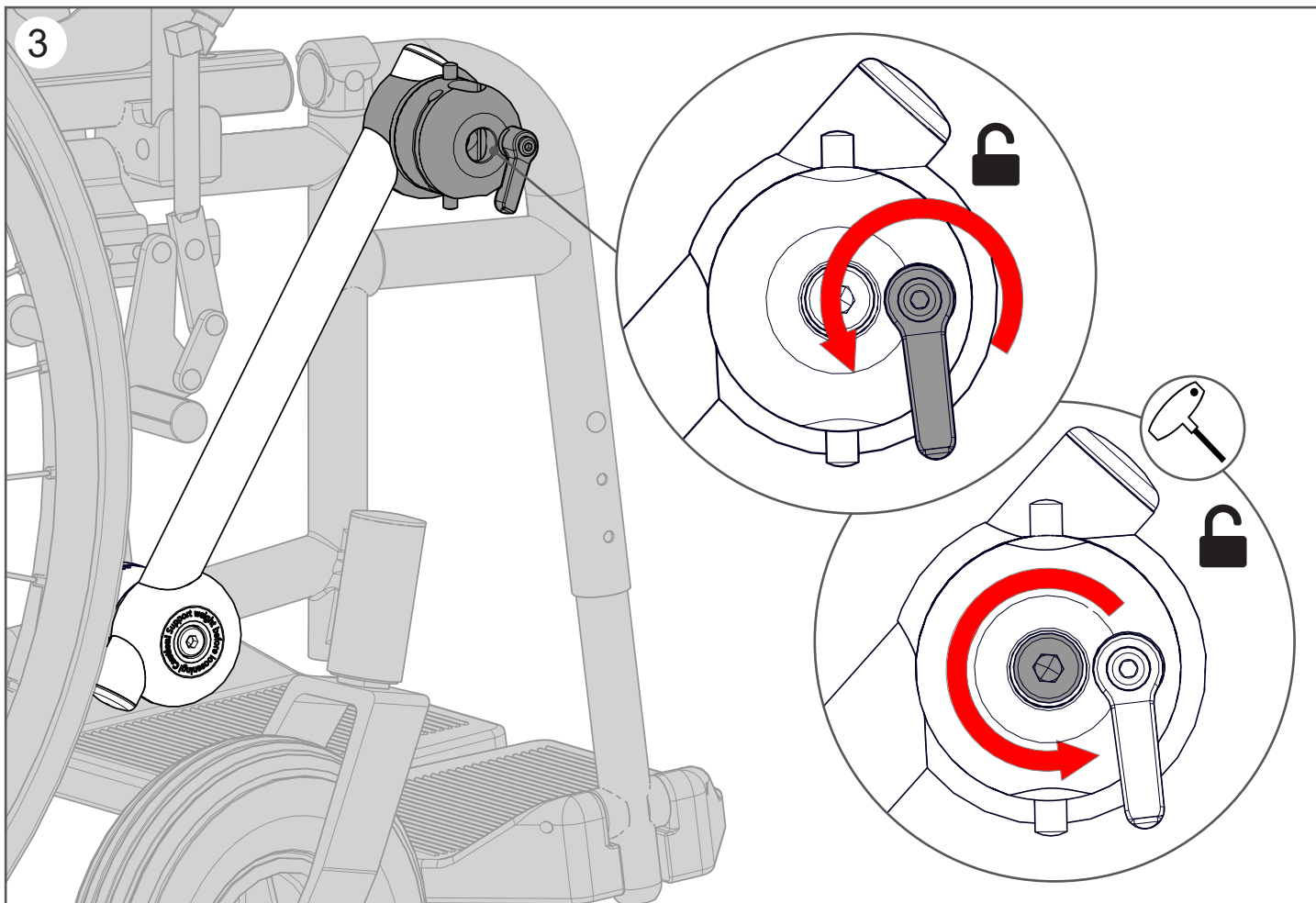


400 mm  
[16 inch]

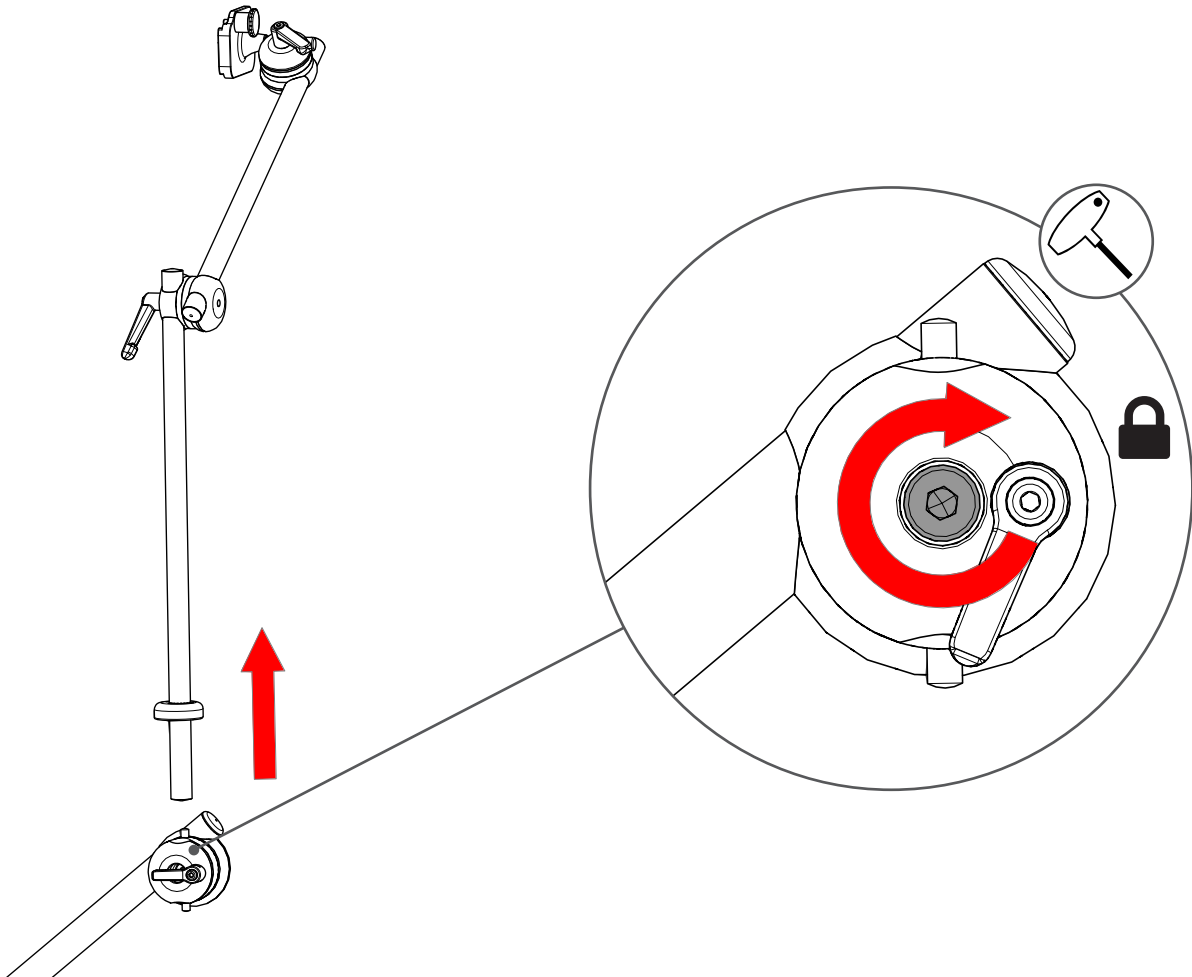
300 mm  
[12 inch]



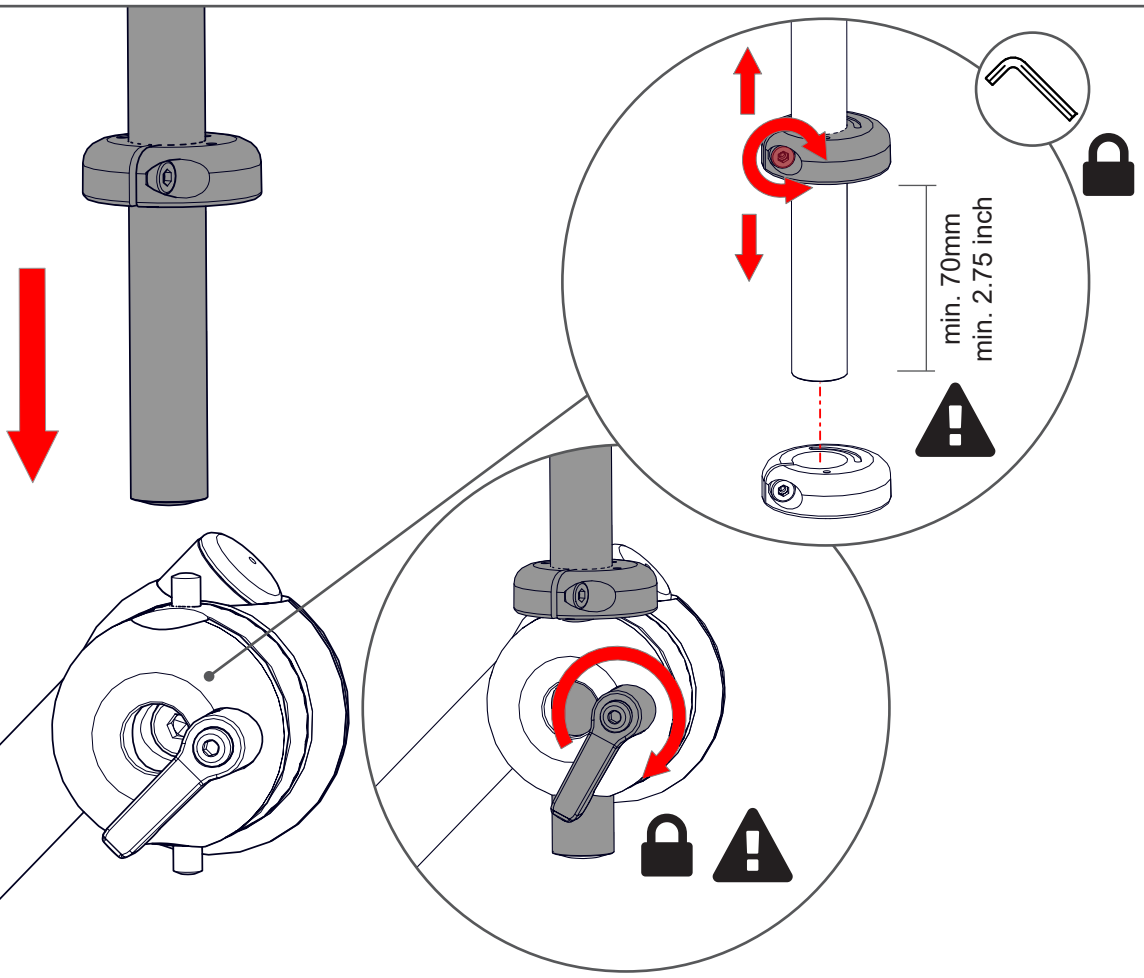




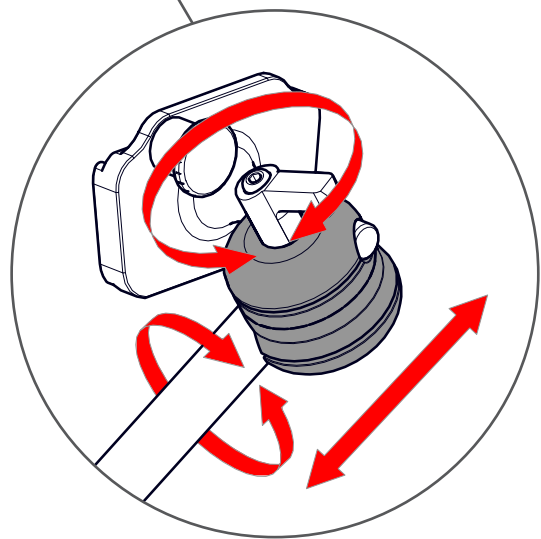
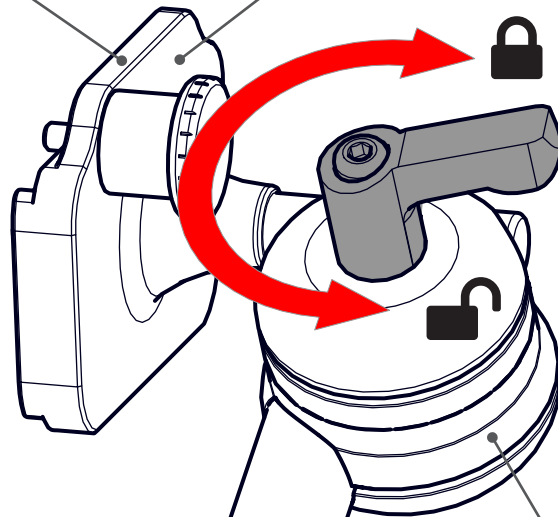
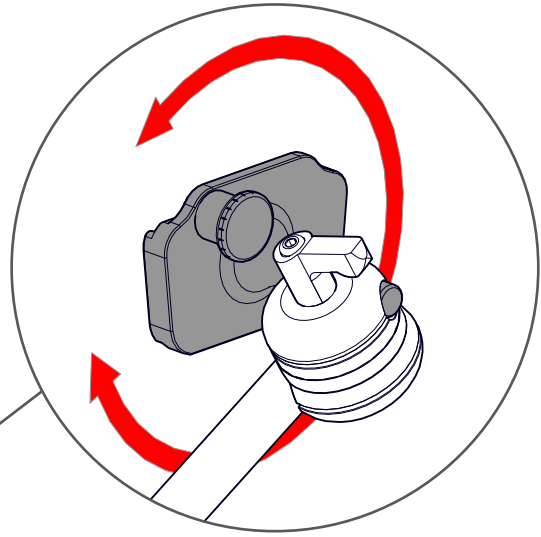
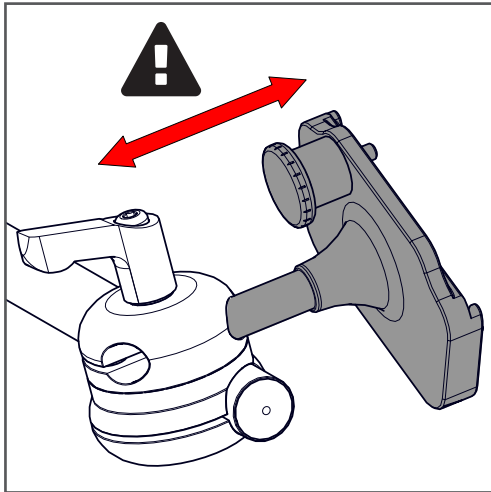
5



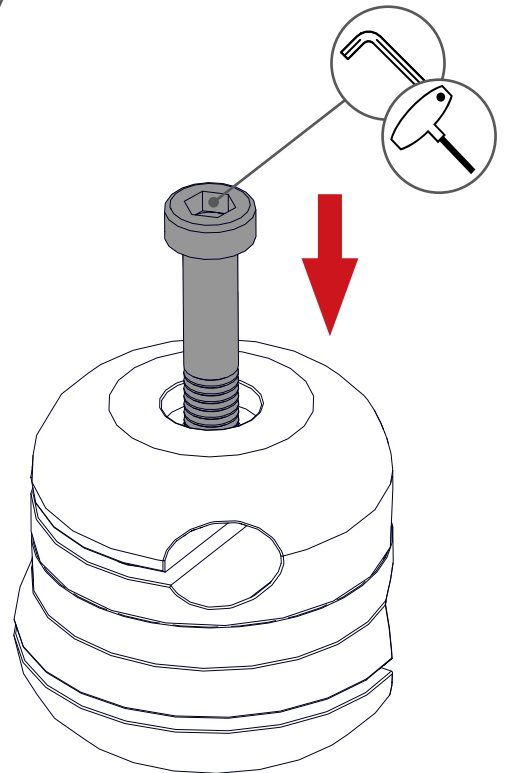
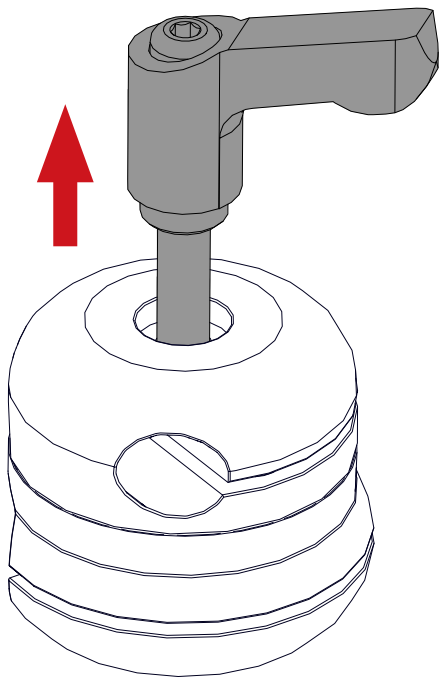
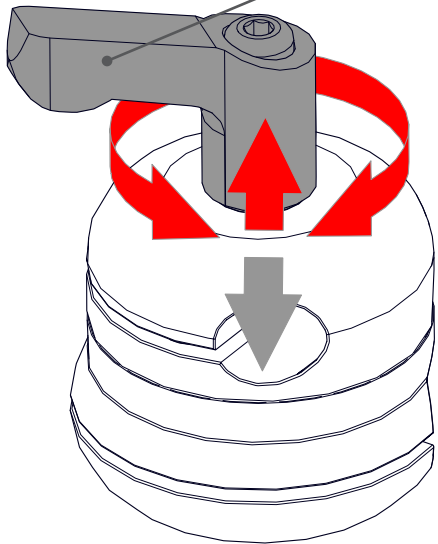
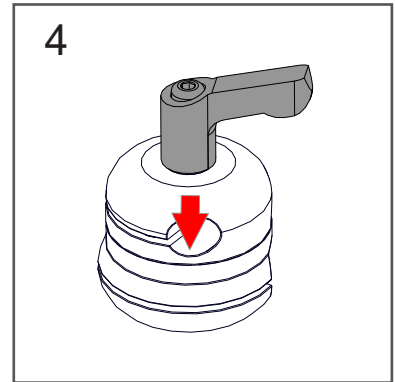
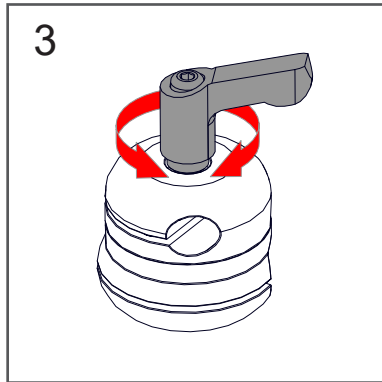
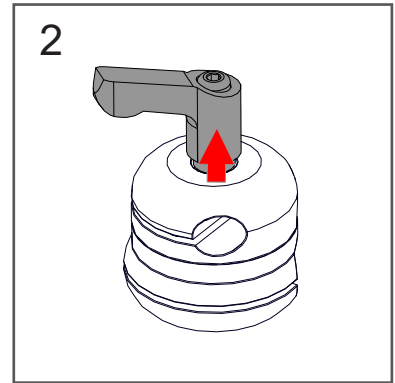
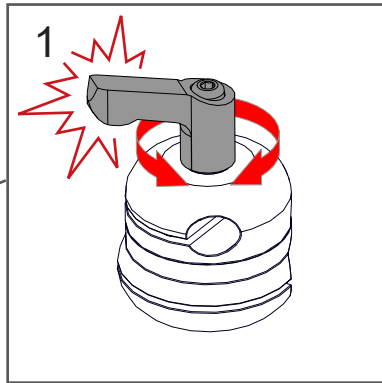
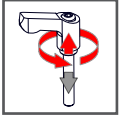
6



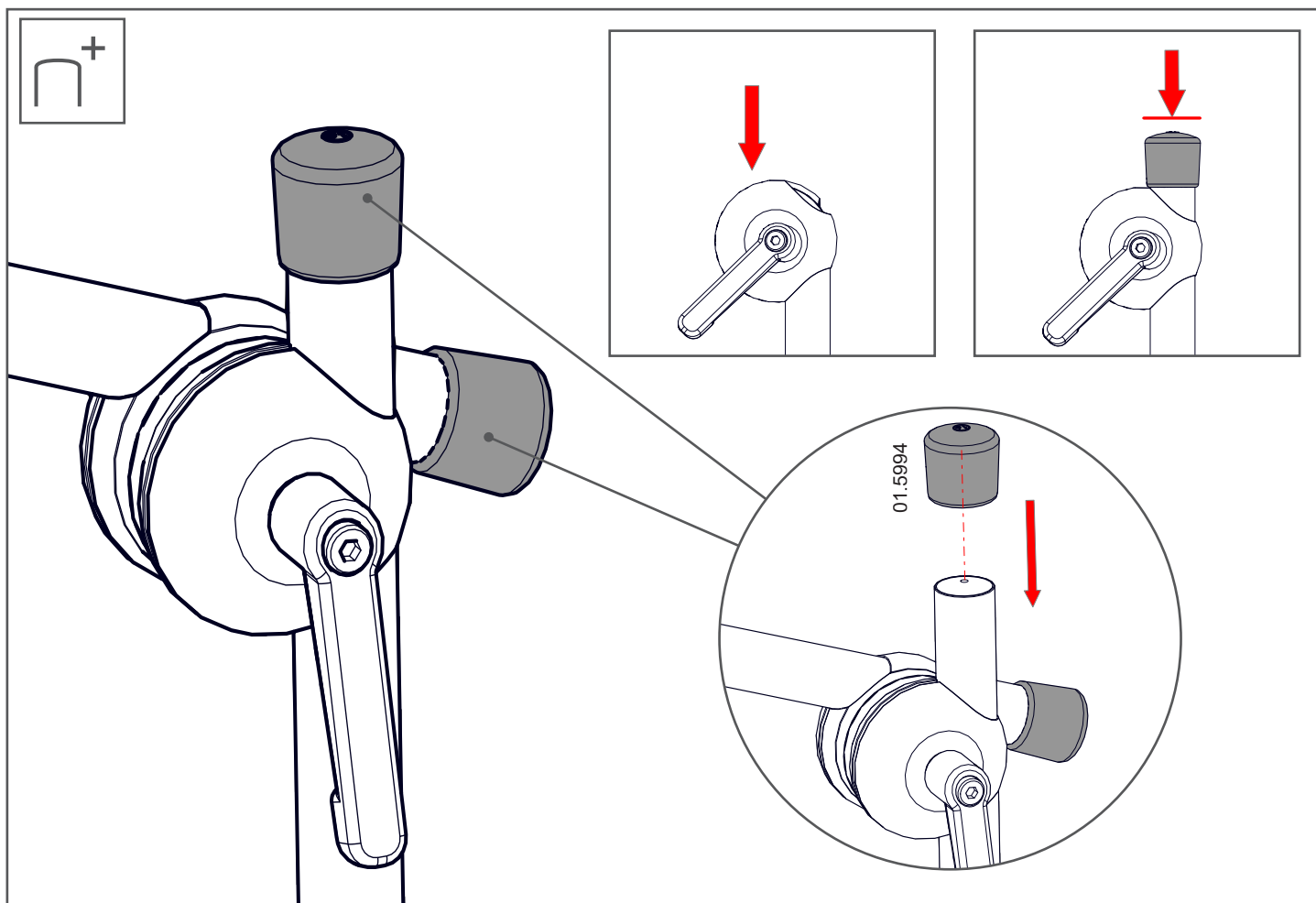
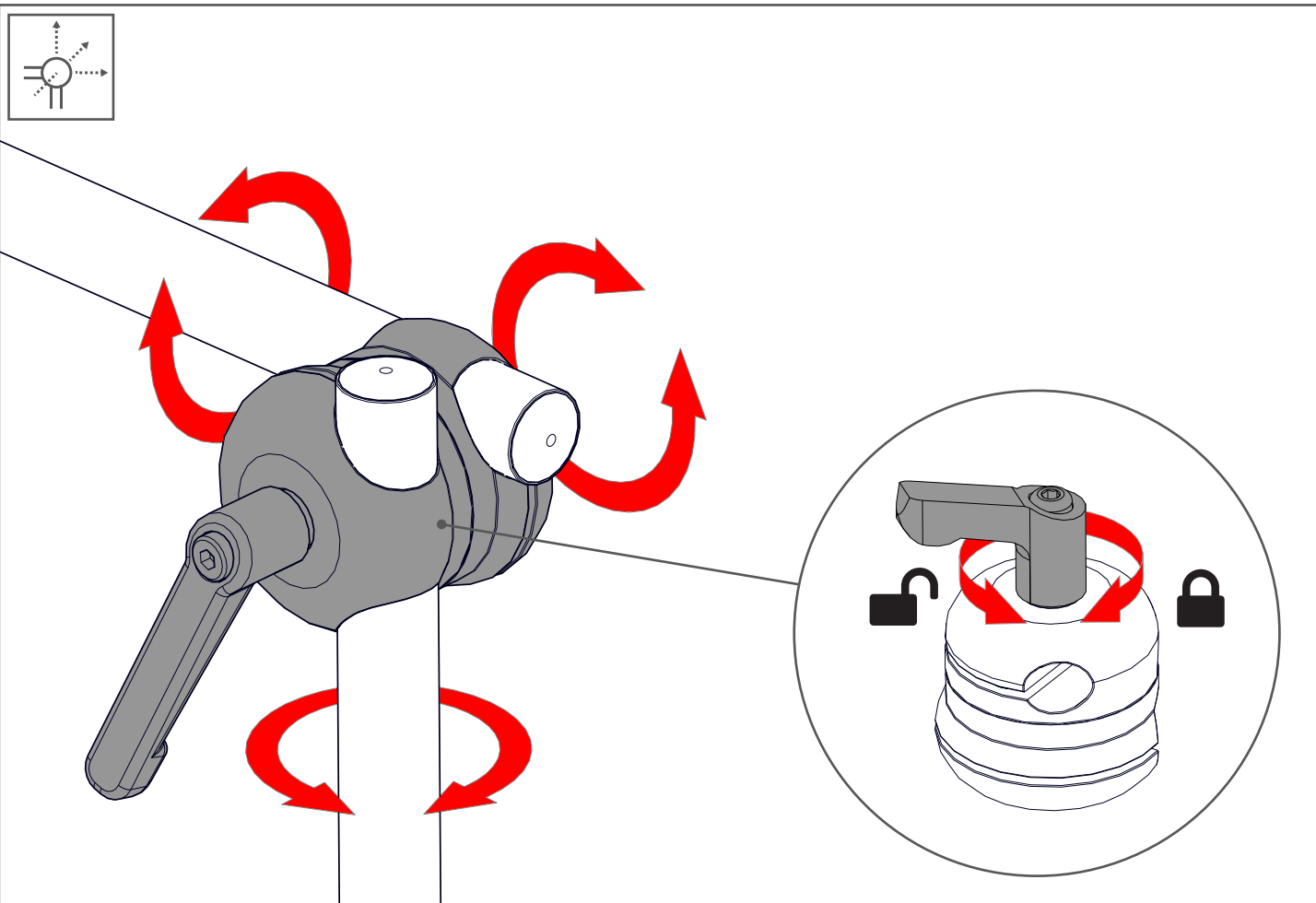


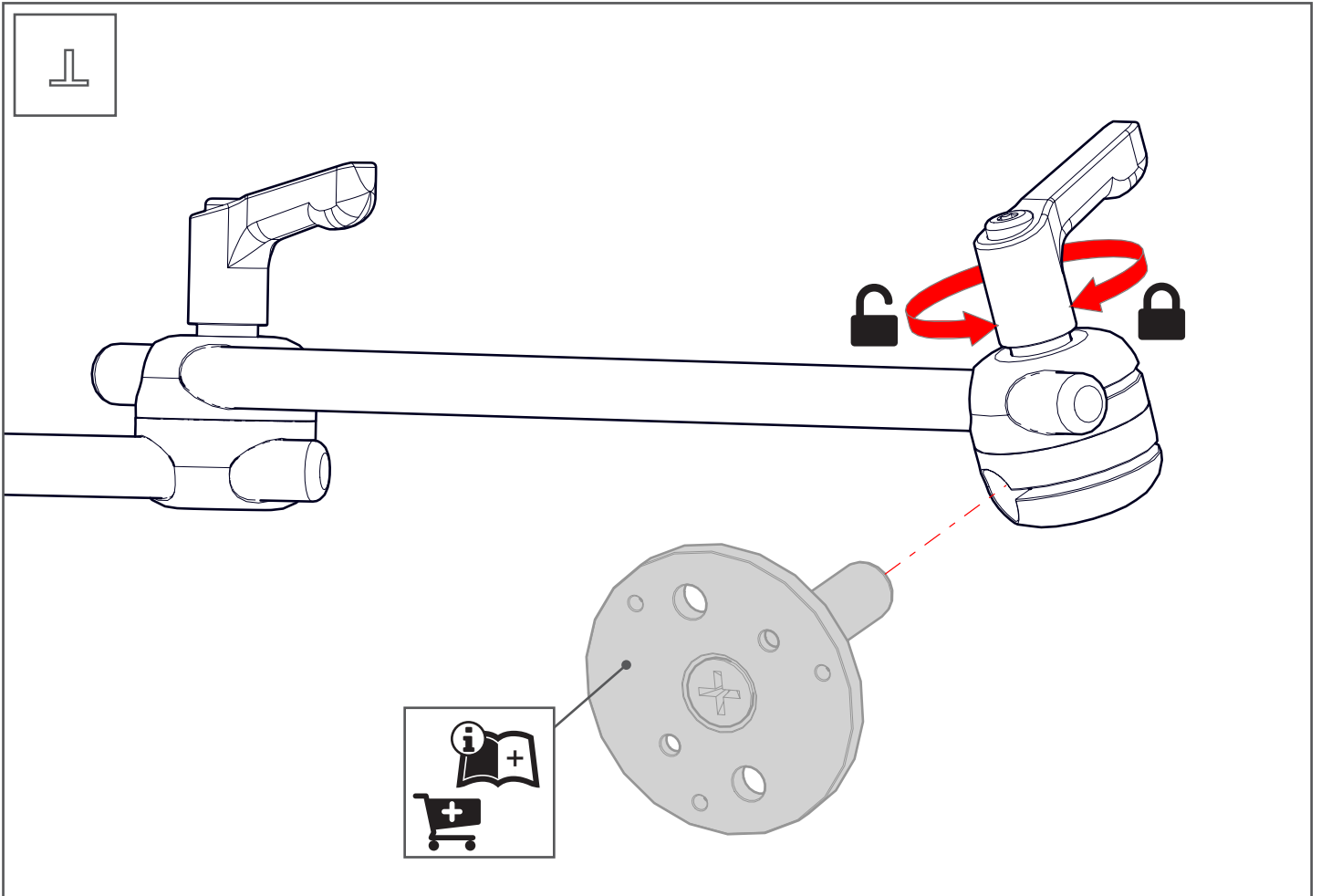


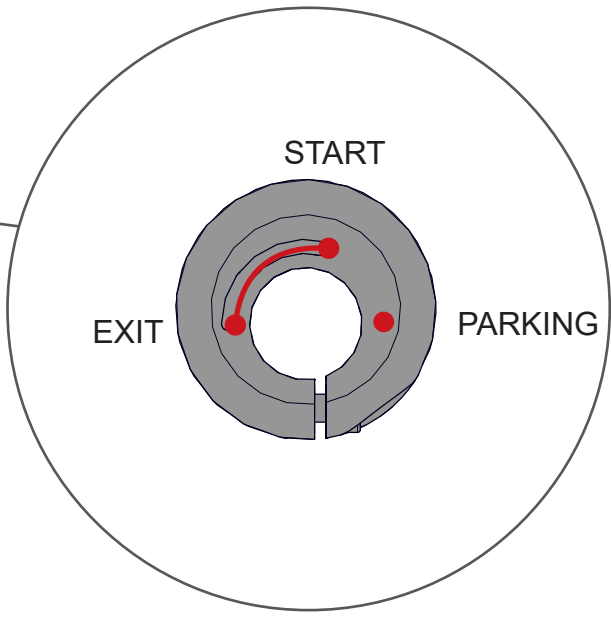
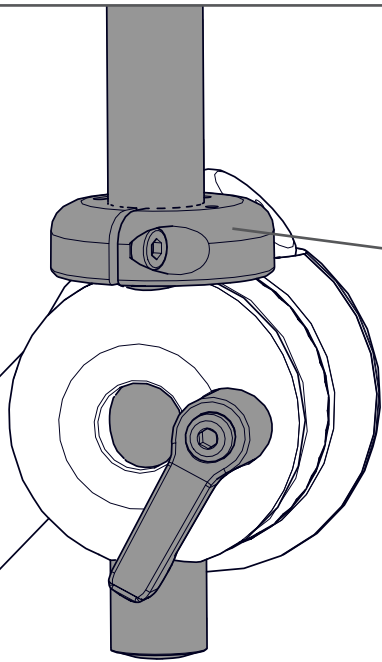




16-16	01.0385
16-10	01.0634

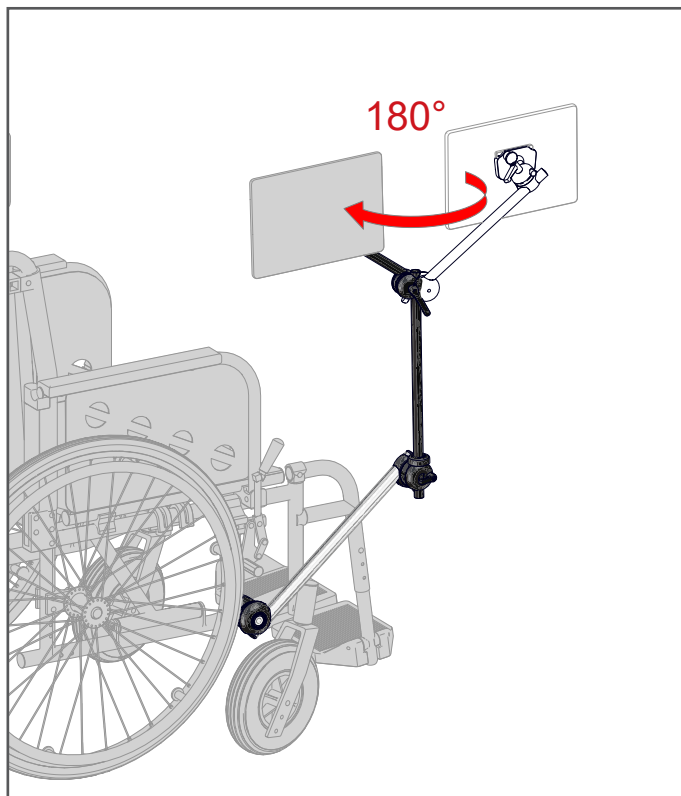
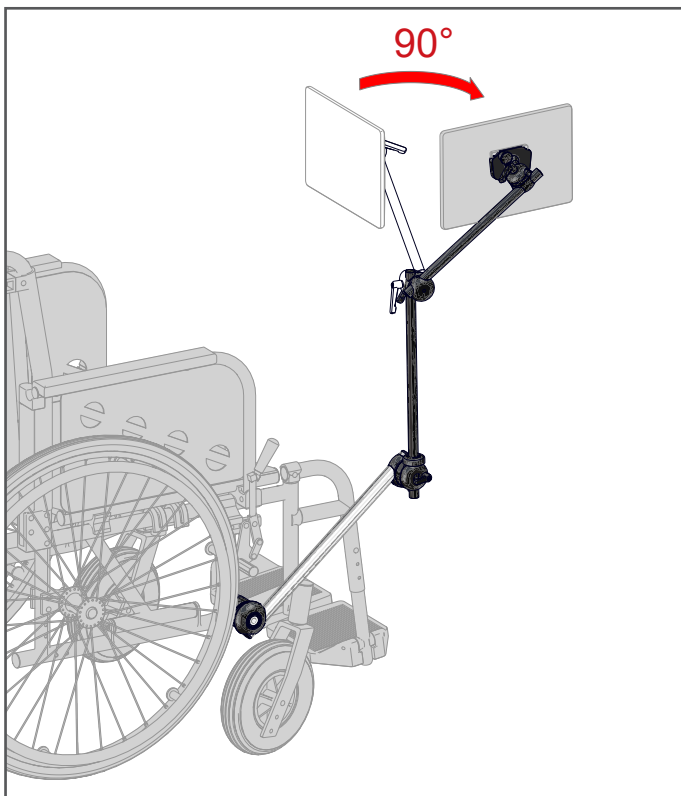
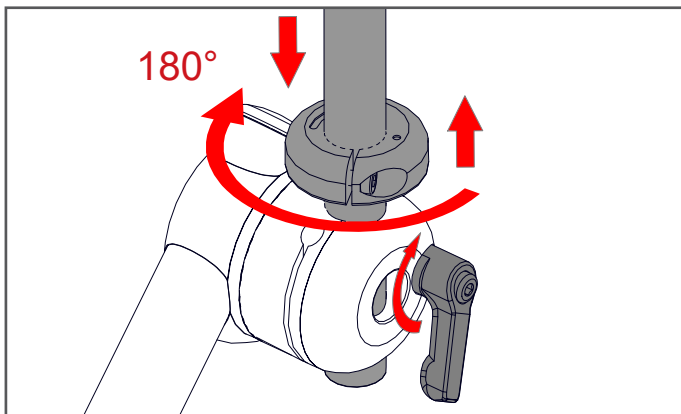
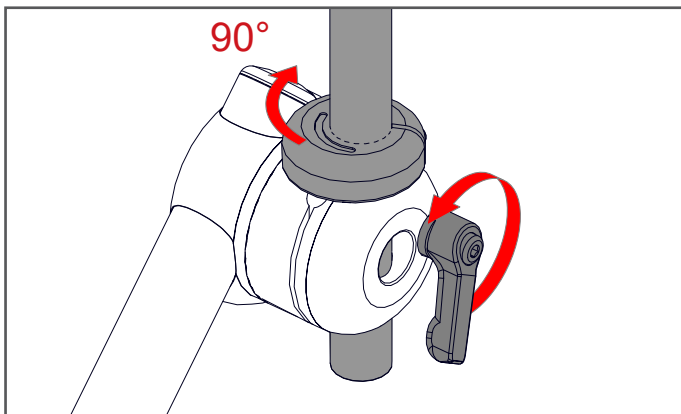


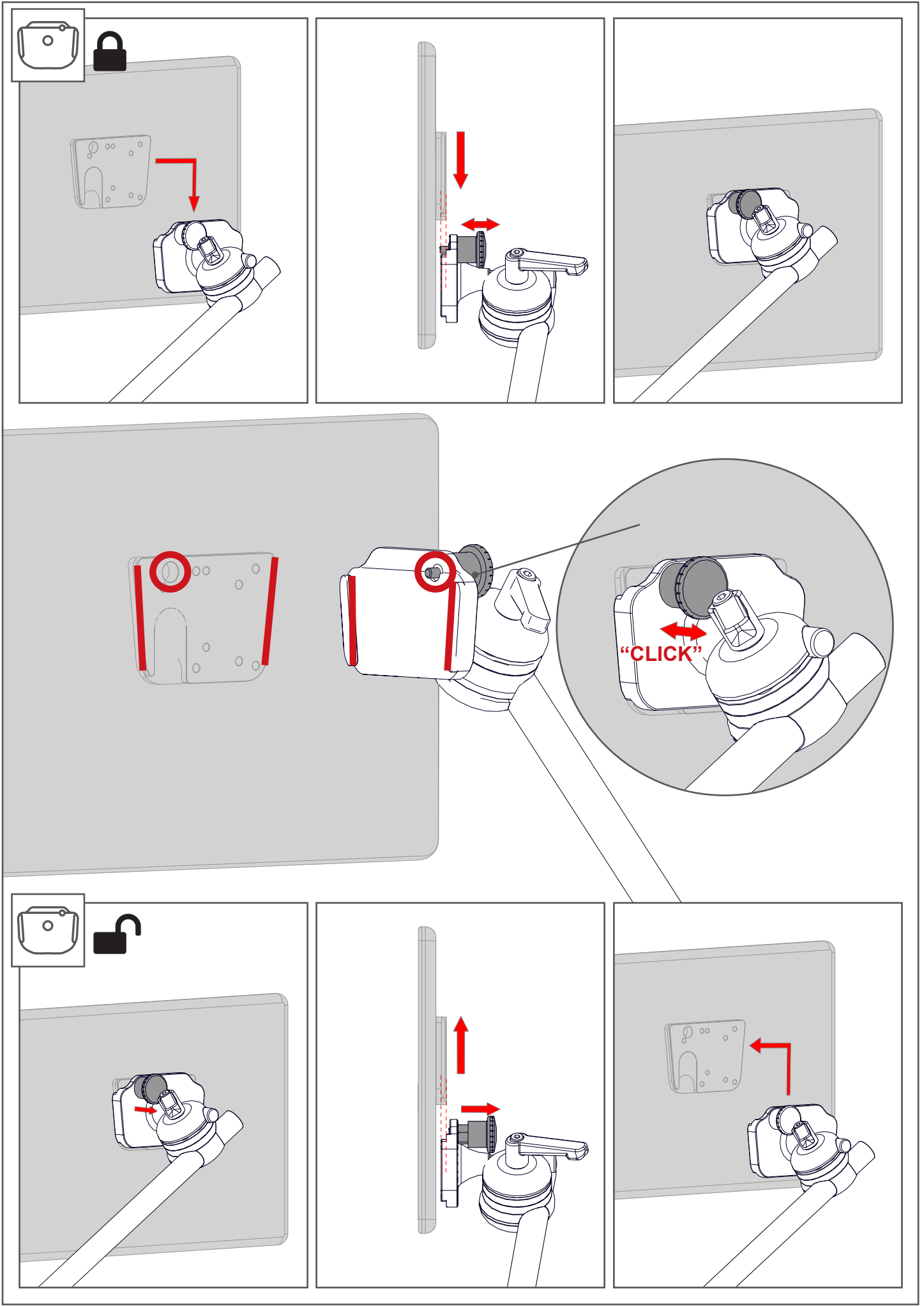


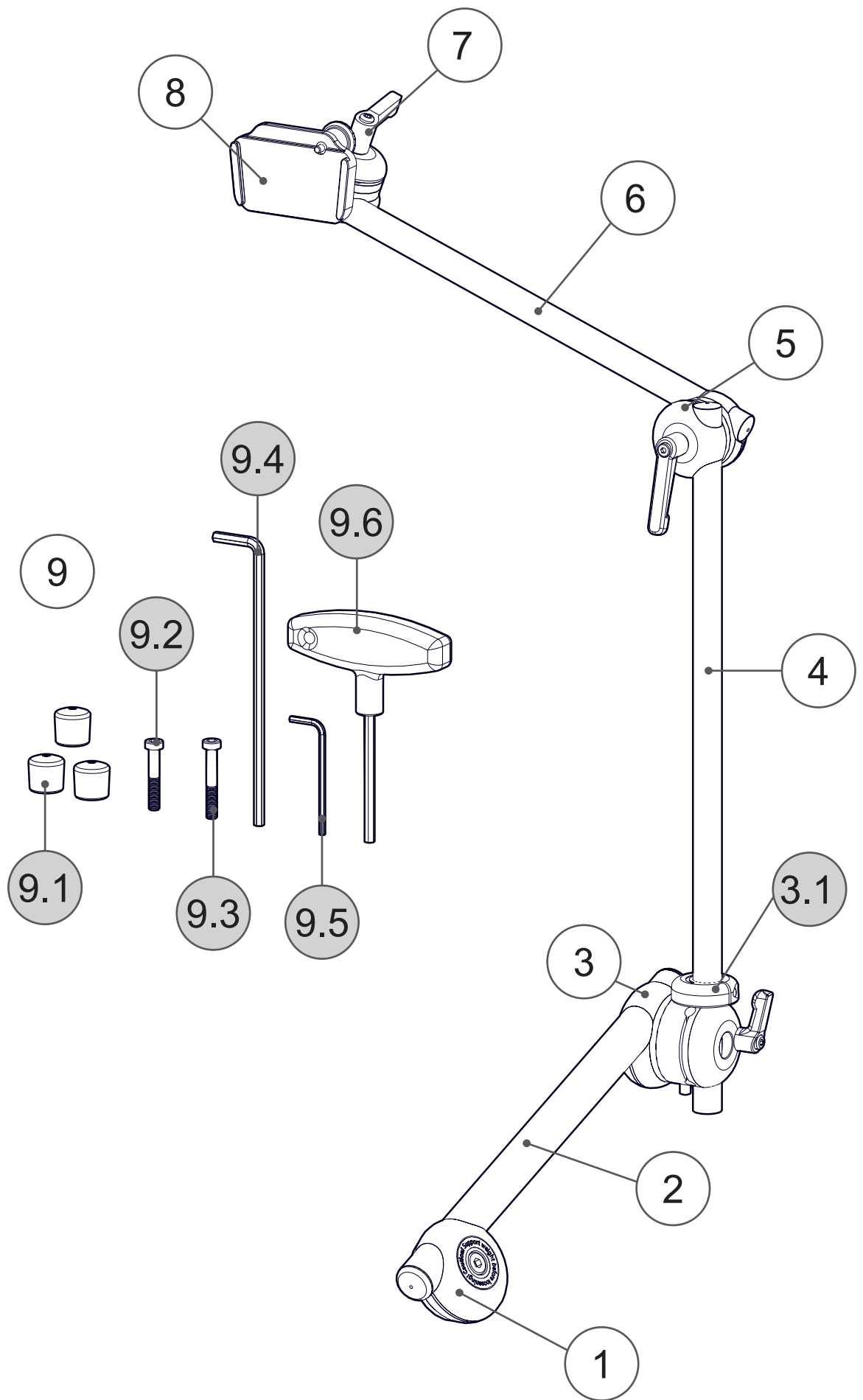


START → EXIT

EXIT → PARKING







Pos.	No.	Bezeichnung	Description
1	11.1102	M3D Rohraufnahme	M3D Tube Socket
2	01.5010	Rohr Ø22x300	Tube Ø22x300
3	14.1222	L3D Schwenklager-S 22	L3D Swivel unit S 22
3.1	14.1225	L3D Rast-Slot	L3D Indexing-Slot
4	14.9506	Rohr Ø16x400	Tube Ø16x400
5	14.1250	L3D 16-16 QS	L3D 16-16 QS
6	14.9504	Rohr Ø16x300	Tube Ø16x300
7	14.1271	L3D 16-10 SQS	L3D 16-10 SQS
8*	14.1516	L3D UGA	L3D UDS
9	11.3215BS	Schraubensatz - H3D	Set of bolts - H3D
9.1	01.5994	Abrutschkappe Ø16mm	Restraining cap Ø16mm
9.2	01.0634	Zylinderschraube M6x35	Cylinder head bolt M6x35
9.3	01.0385	Zylinderschraube M6x40	Cylinder head bolt M6x40
9.4	01.0008	Innensechskantschlüssel 5mm	Allen wrench 5mm
9.5	01.0002	Innensechskantschlüssel 3mm	Allen wrench 3mm
9.6	01.0027	T-Griff	T-Handle

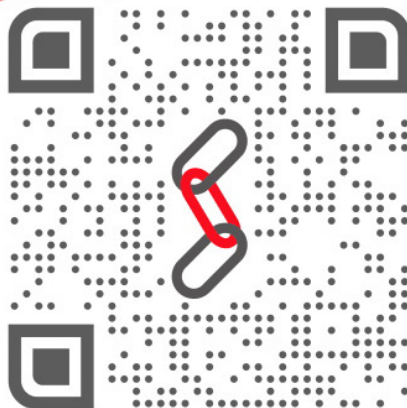
\*13.3211 H3D Short UDS





We ♥ your  
feedback

[www.rehadapt.com/vms/feedback](http://www.rehadapt.com/vms/feedback)



Rehadapt Engineering  
GmbH & Co. KG

📄 Heinrich-Hertz-Str. 104  
34123 Kassel, Germany

☎ Tel.: +49 561 220 717 0  
📠 Fax: +49 561 220 717 99

✉ [officeteam@rehadapt.com](mailto:officeteam@rehadapt.com)  
🌐 <https://rehadapt.com>



Rehadapt  
North America

📄 40 Oser Ave  
Hauppauge, NY 11788, USA

☎ Tel.: 1 (888) 635-6962  
📠 Fax: 1 (888) 635-6962

✉ [officeteam.na@rehadapt.com](mailto:officeteam.na@rehadapt.com)  
🌐 <https://rehadapt.com>