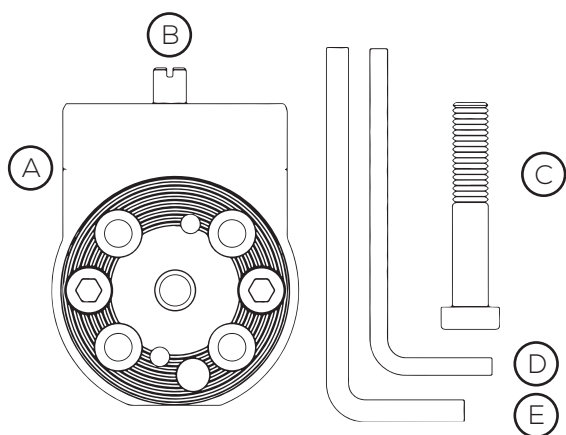


MOUNTING INSTRUCTION

Name: Monty 3D Basis Adapter 90°

Model Number: #11.1590

Instruction ID: #00.5101~A



i Mounting kit / Montageset

- (A) = 1x Adapter 90°
- (B) = 1x grub screw / Gewindestift
- (C) = 1x screw / Schraube
- (D) = 1x allen Key / Innensechskant 4mm
- (E) = not included / Nicht Inklusive

