

Table Clamp

- 14.5552 L3D MC 2QS
Switch Mount Kit
- 14.5553 L3D MC 2QS
Flex Switch Mount Kit

Sicherheitshinweise
Safety Instructions



Montage
Assembly Instructions



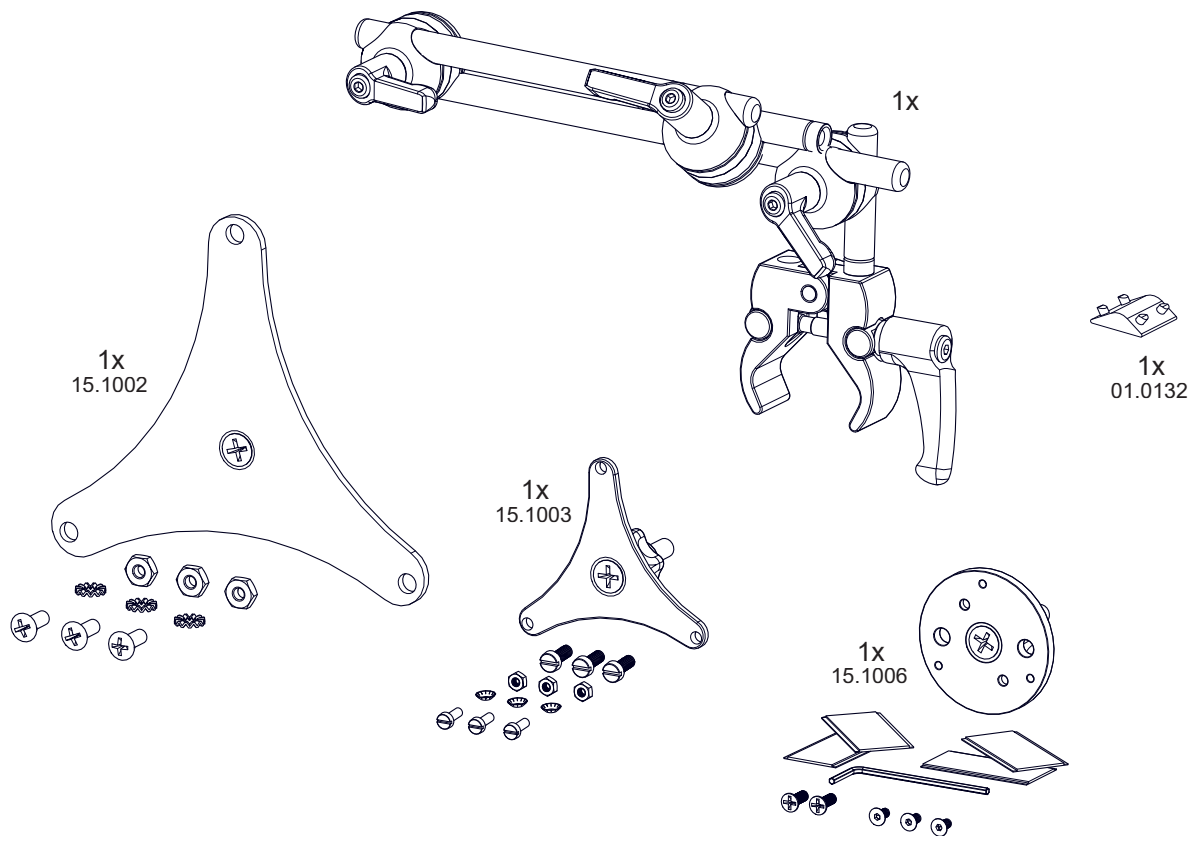
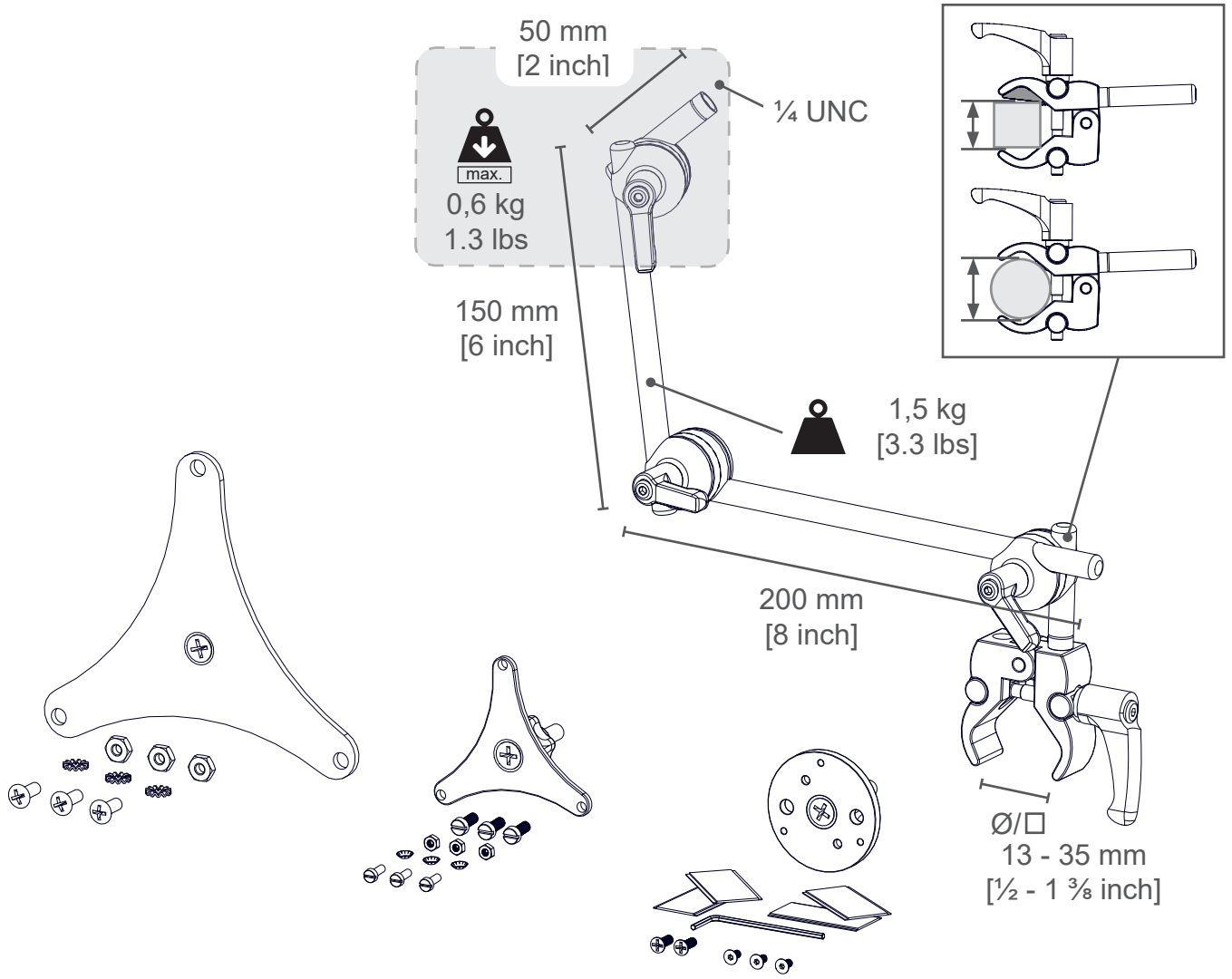
Handhabung
Handling



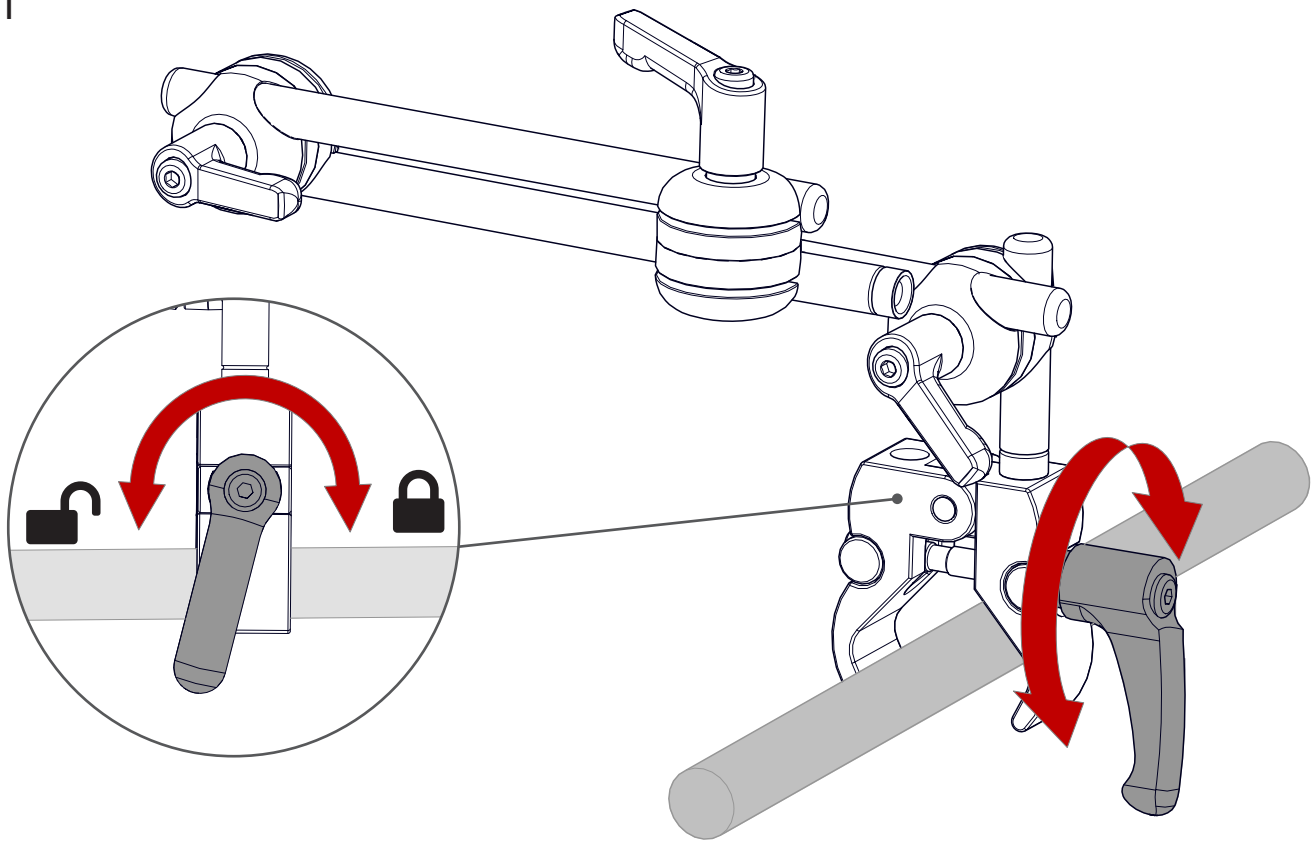
2021-11-01

00.5165~A

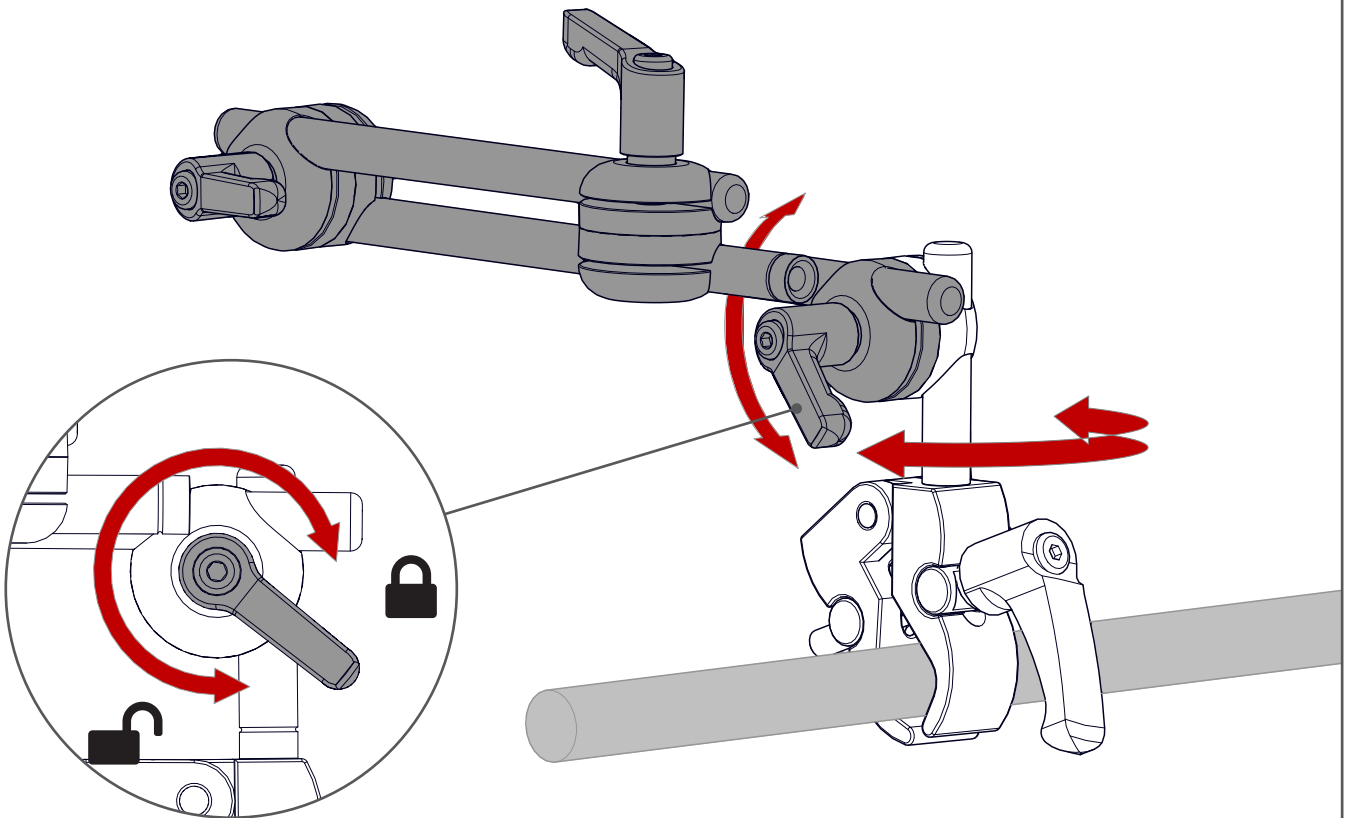




1



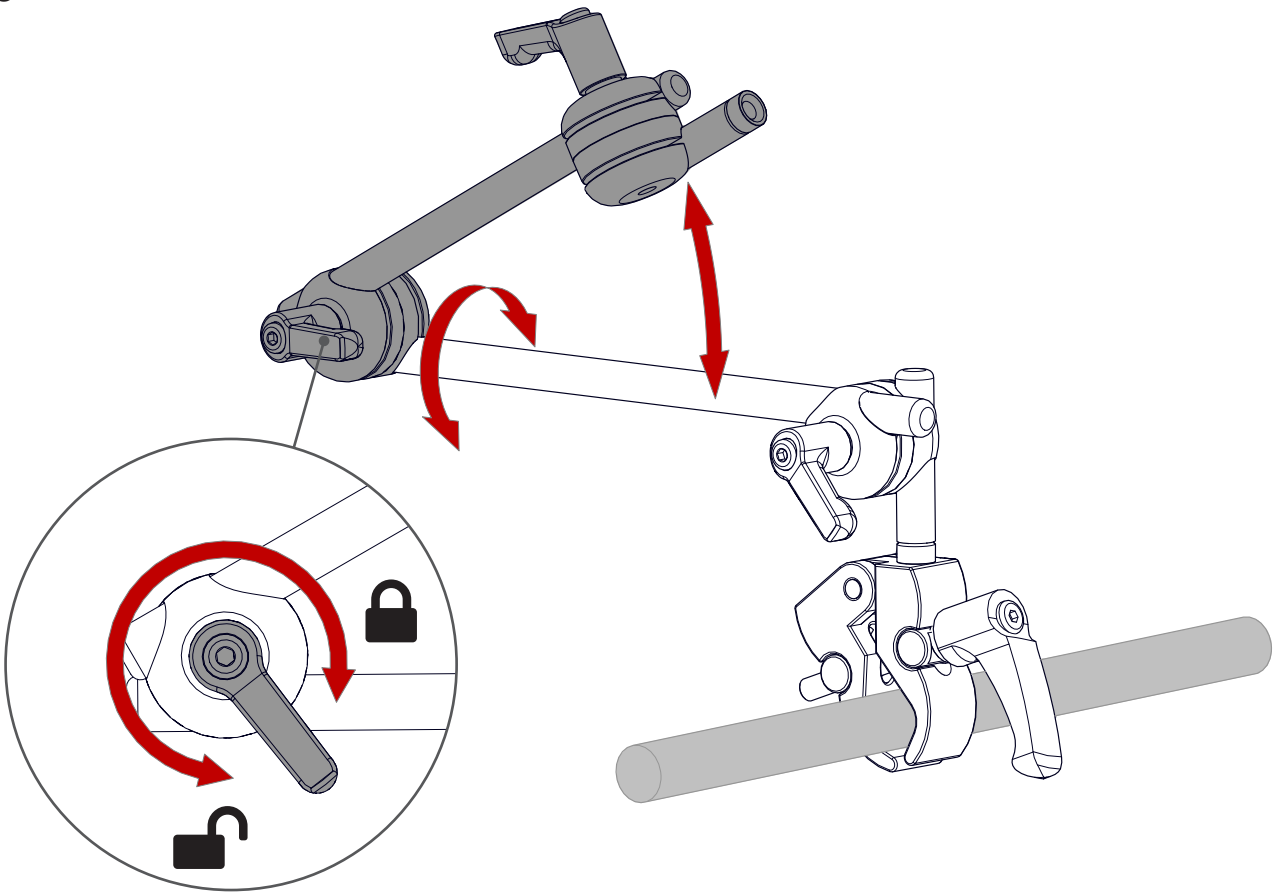
2



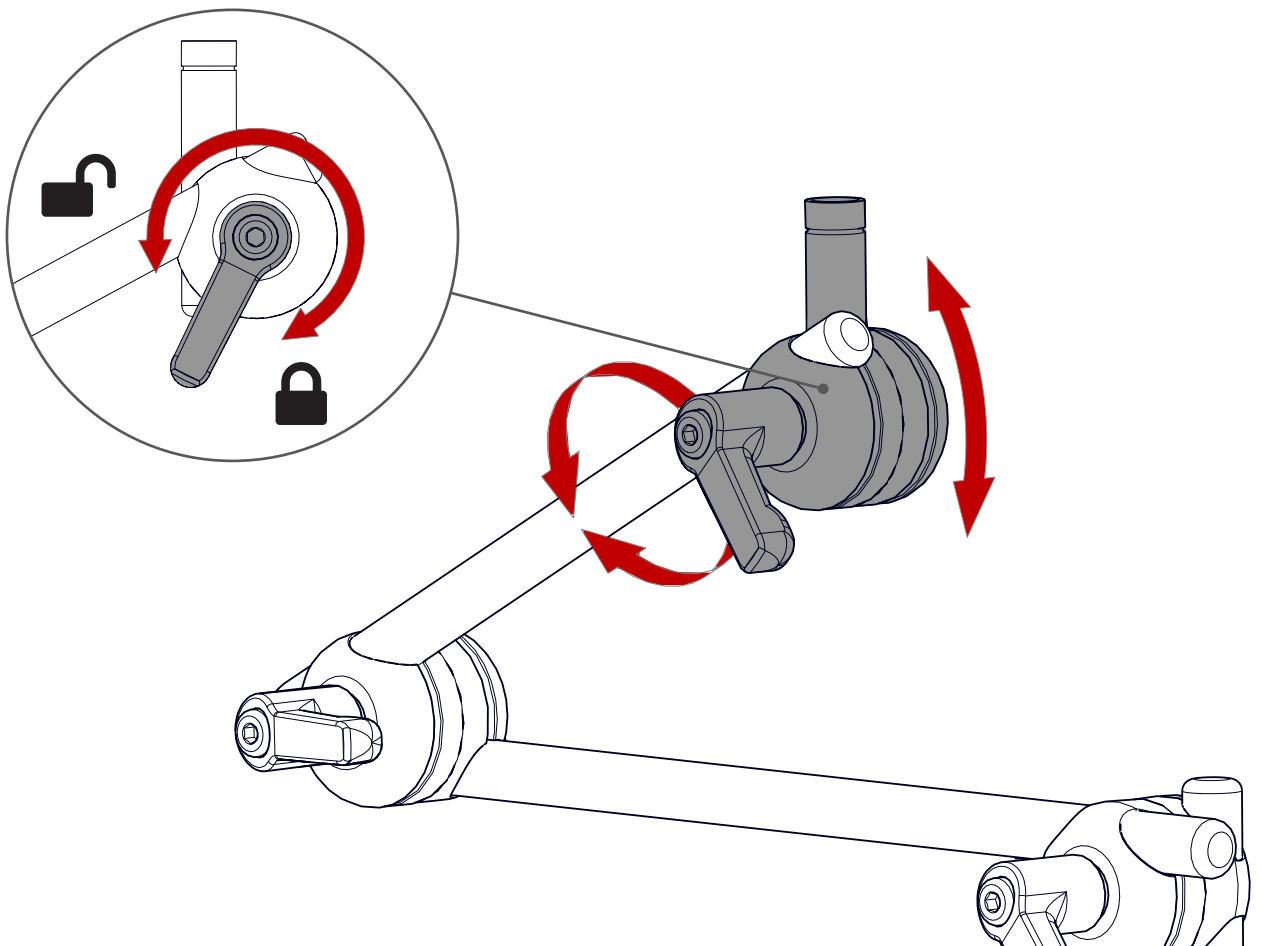
3



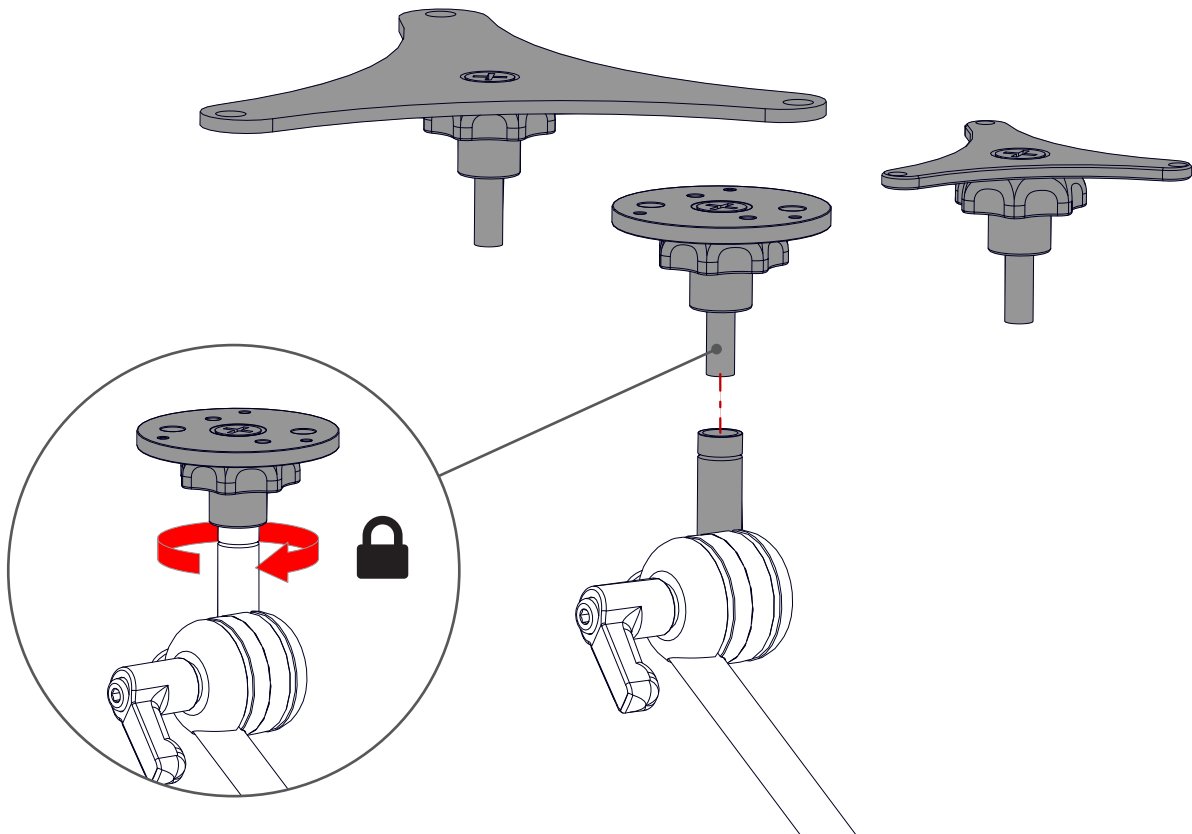
3

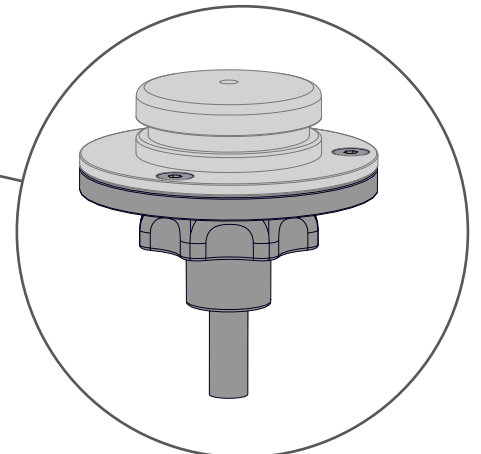
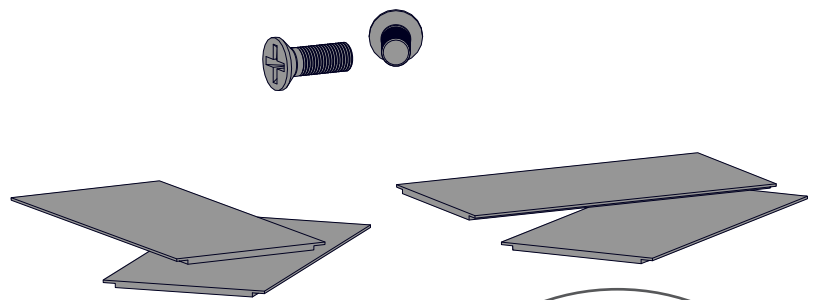
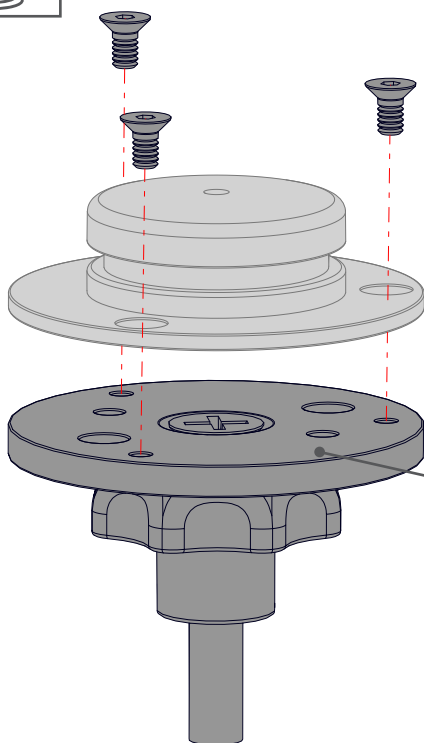
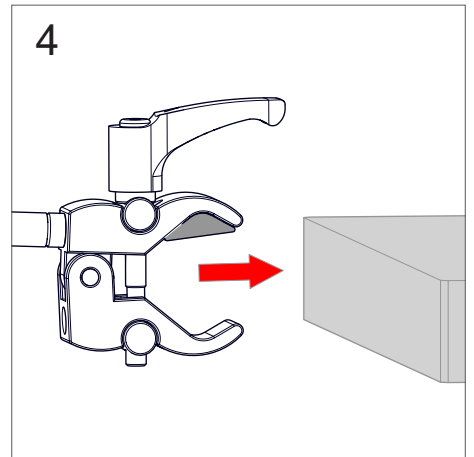
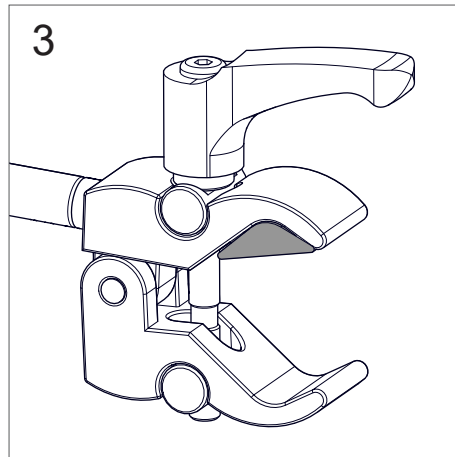
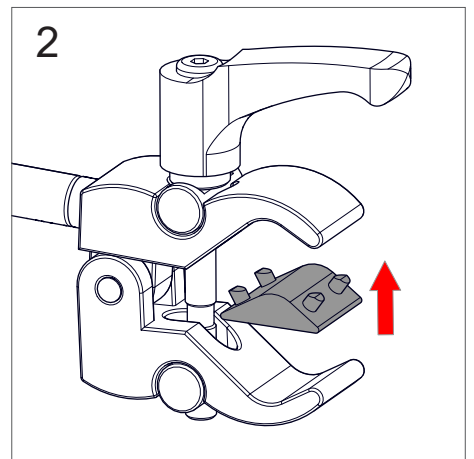
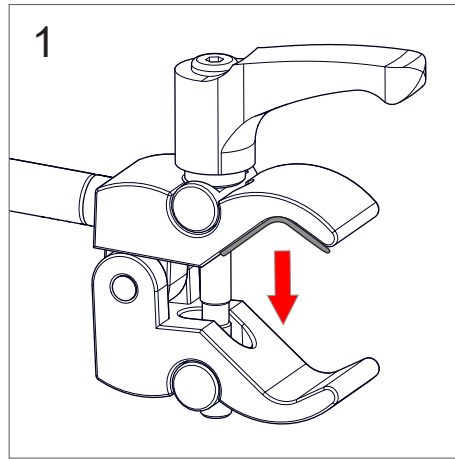
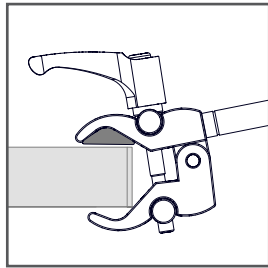
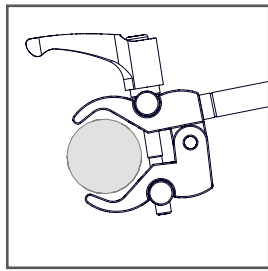


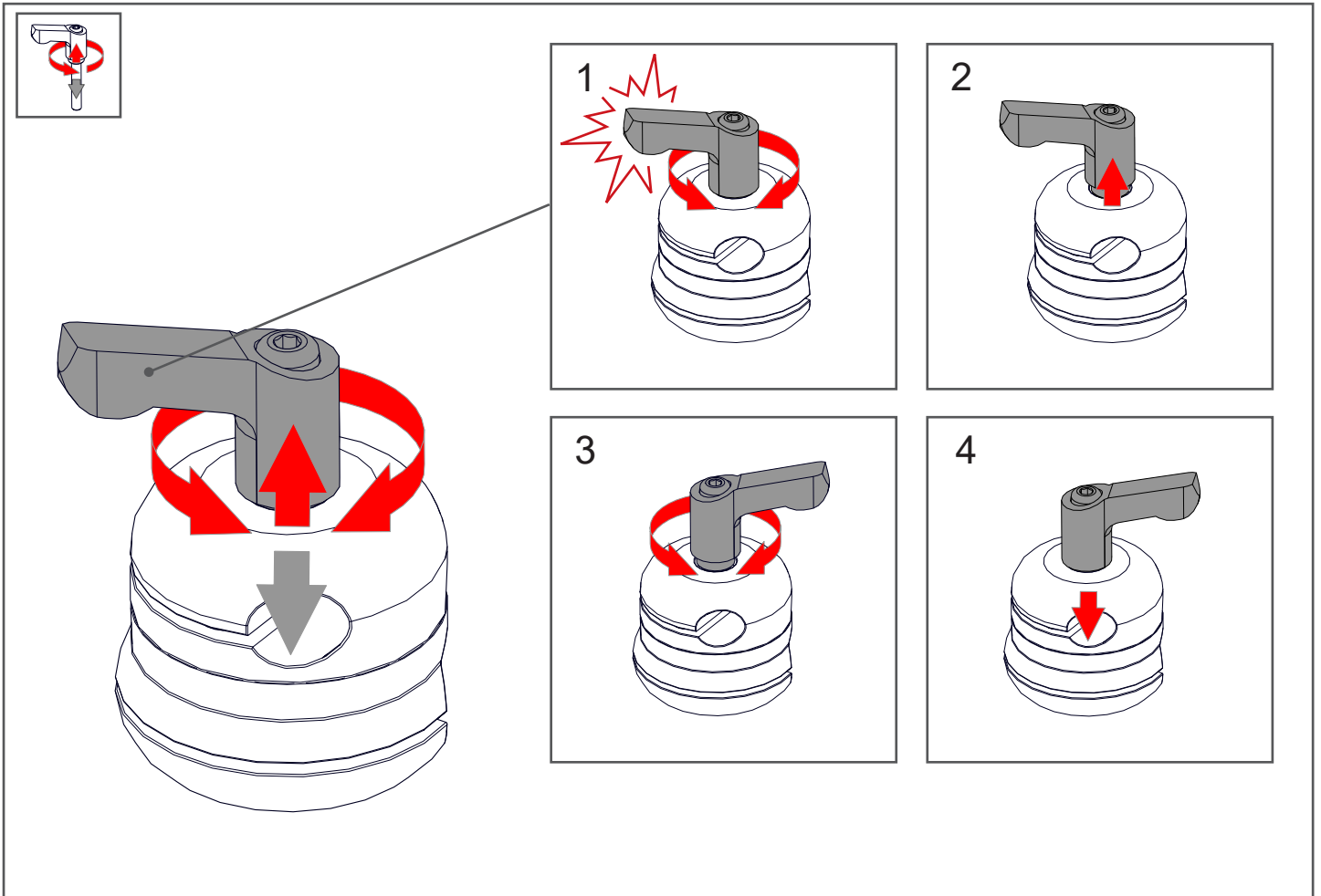
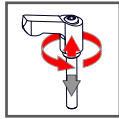
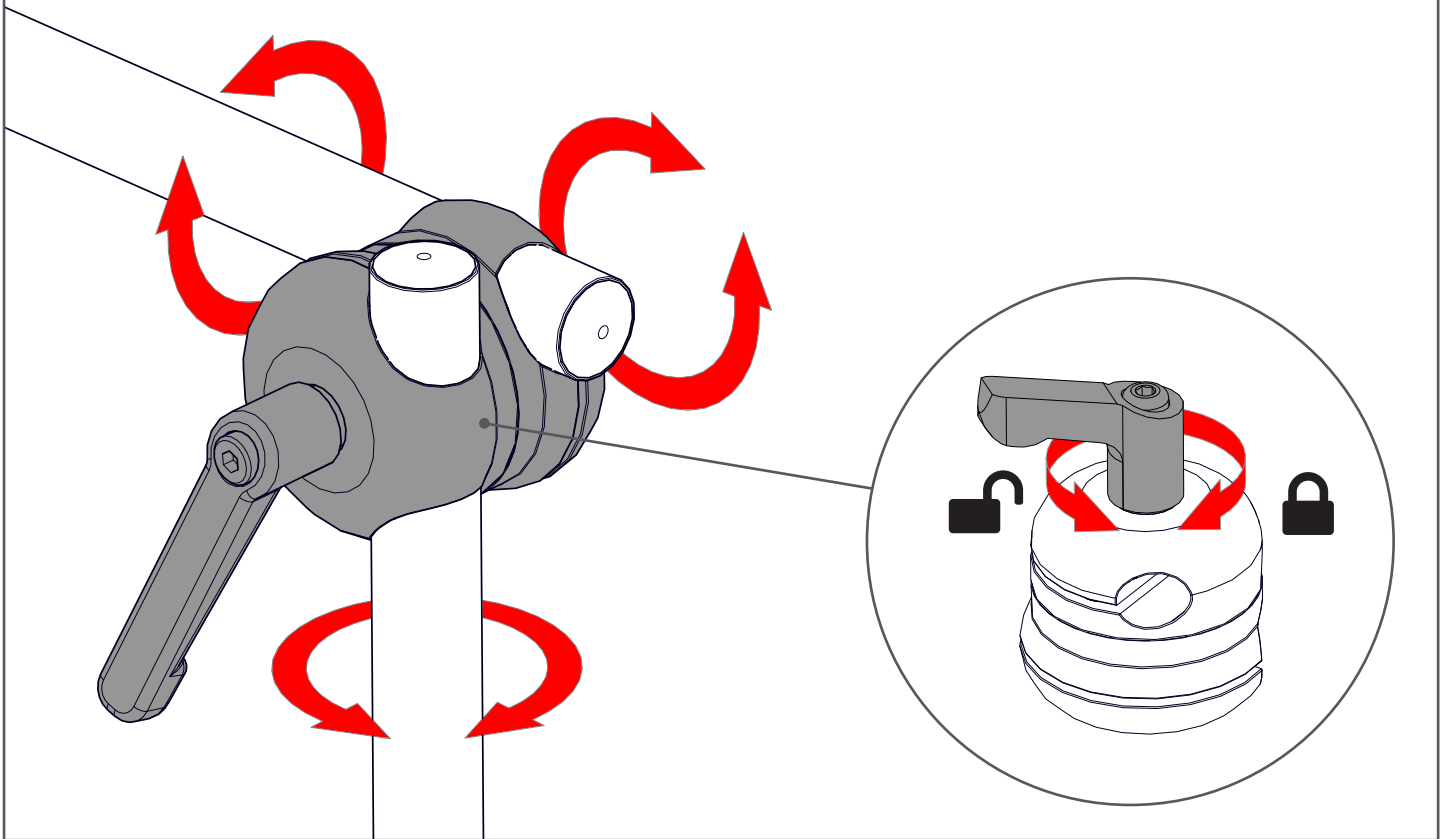
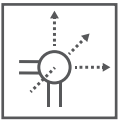
4

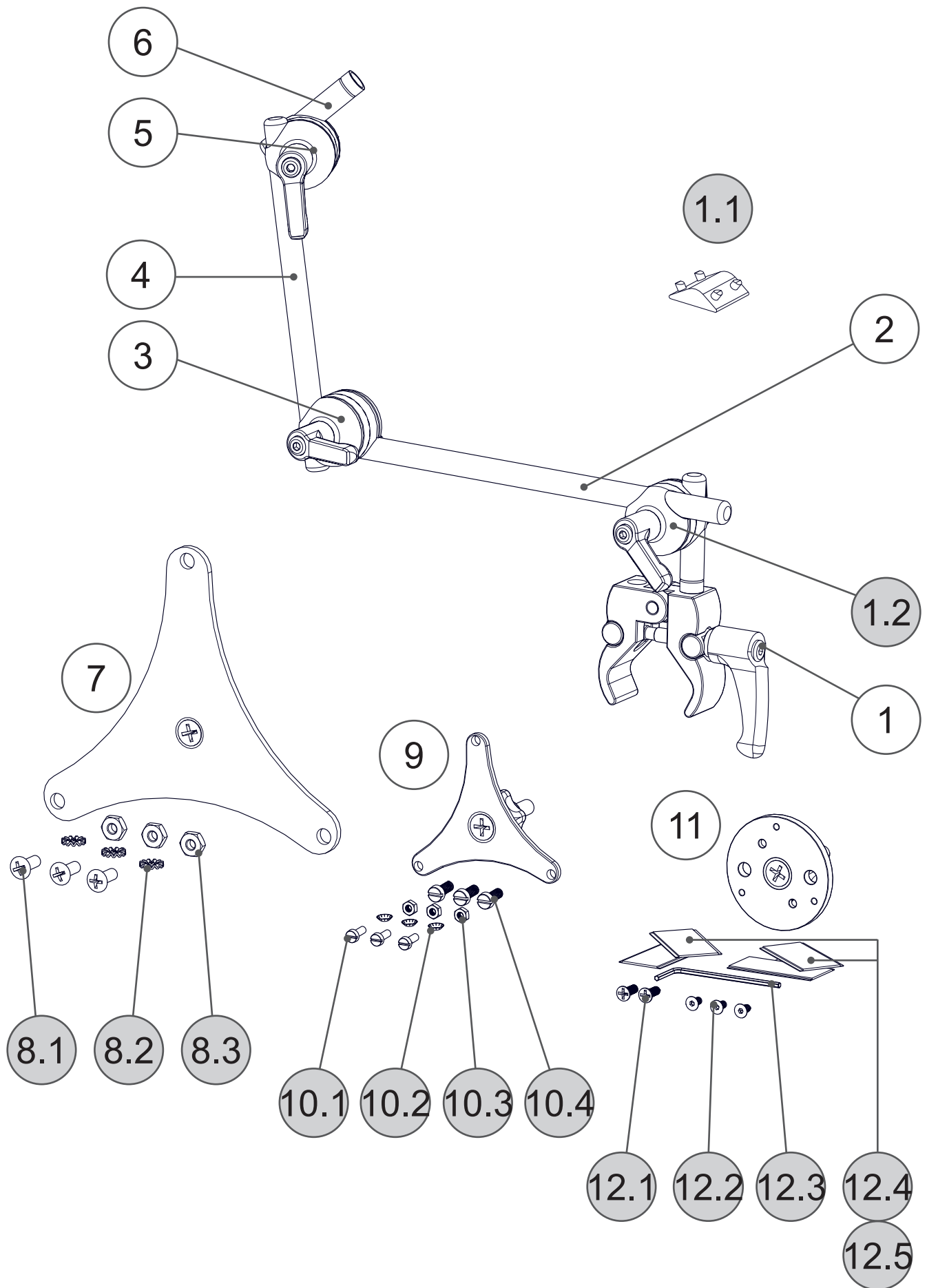


5







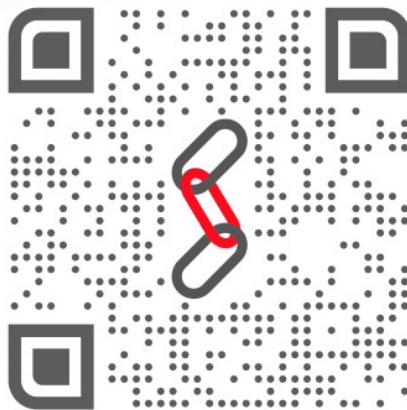


| Pos. | No. | Bezeichnung | Description |
|------|-----------|---------------------------------------------------------------|--------------------------------------------------------------|
| 1 | 14.1174 | L3D 10 Miniklemme QS | L3D 10 MiniClamp QS |
| 1.1 | 01.0132 | Keil für Miniklemme | Wedge for Miniclamp |
| 1.2 | 14.1252 | L3D 10-10 QS | L3D 10-10 QS |
| 2 | 14.9514 | Rohr Ø10x200 | Tube Ø10x200 |
| 3 | 14.1252 | L3D 10-10 QS | L3D 10-10 QS |
| 4* | 14.9513 | Rohr Ø10x150 | Tube Ø10x150 |
| 4** | 14.9713 | Flex Back Rohr Ø10x150 | Flex Back Tube Ø10x150 |
| 5 | 14.1252 | L3D 10-10 QS | L3D 10-10 QS |
| 6 | 14.9511 | Rohr Ø10x50 1/4" UNC | Tube Ø10x50 1/4" UNC |
| 7 | 15.1002 | MA AbleNet BigRed | MA AbleNet BigRed |
| 8 | 15.1002BS | Schraubensatz MA AbleNet BigRed | Set of bolts MA AbleNet BigRed |
| 8.1 | 01.0332 | Linsenschraube PH N10-32 UNFx1/2" | Button head bolt PH N10-32 UNF x 1/2" |
| 8.2 | 01.0503 | Fächerscheibe 5,3 mm | Serrated washer 5,3mm |
| 8.3 | 01.0353 | SKT-Mutter N10-32 UNF | Hex nut N10-32 UNF |
| 9 | 15.1003 | MA AbleNet JellyBean | MA AbleNet JellyBean |
| 10 | 15.1003BS | Schraubensatz MA AbleNet JellyBean | Set of bolts MA AbleNet JellyBean |
| 10.1 | 01.0367 | Zylinderschraube SL M3x10 | Cylinder head bolt SL M3x10 |
| 10.2 | 01.0303 | Fächerscheibe 3,2mm | Serrated washer 3.2mm |
| 10.3 | 01.0301 | SKT-Mutter M3 | Hex nut M3 |
| 10.4 | 01.0255 | Zylinderschraube SL M4x10 | Cylinder head bolt SL M4x10 |
| 11 | 15.1006 | MA Buddy/Specs/Little Candy Corn/ Orby Switch | MA Buddy/Specs/Little Candy Corn/ Orby Switch |
| 12 | 15.1006BS | Schraubensatz MA Buddy/Specs/Little Candy Corn/Orby Switch | Set of bolts MA Buddy/Specs/Little Candy Corn/Orby Switch |
| 12.1 | 01.0323 | Senkschraube PH N6-32 UNCx3/8" | Countersunk bolt PH N6-32 UNC x 3/8" |
| 12.2 | 01.0453 | Senkschraube M3x6 | Countersunk bolt M3x6 |
| 12.3 | 01.0034 | Innensechskantschlüssel 2mm | Allen wrench 2mm |
| 12.4 | 01.0094 | Flaschband 20x40mm schwarz | Velcro Loop 20x40mm black |
| 12.5 | 01.0095 | Hakenband 20x40mm schwarz | Velcro Hook 20x40mm black |

* 14.5552 L3D MC 2QS Switch Mount Kit

**14.5553 L3D MC 2QS Flex Switch Mount Kit





Rehadapt Engineering
GmbH & Co. KG

📄 Heinrich-Hertz-Str. 104
34123 Kassel, Germany

☎ Tel.: +49 561 220 717 0
📠 Fax: +49 561 220 717 99

✉ officeteam@rehadapt.com
🌐 <https://rehadapt.com>



Rehadapt
North America

📄 40 Oser Ave, Suite 40-01
Hauppauge, NY 11788, USA

☎ Tel.: 1 (888) 635-6962
📠 Fax: 1 (888) 635-6962

✉ officeteam.na@rehadapt.com
🌐 <https://rehadapt.com>