



Light 3D

- 14.2415 **Light 3D Headrest 1-Switch**
- 14.2515 **Light 3D Headrest 1-Switch Flex**

Sicherheitshinweise
Safety Instructions



Montage
Assembly Instructions



Handhabung
Handling



M3D H3D

L3D

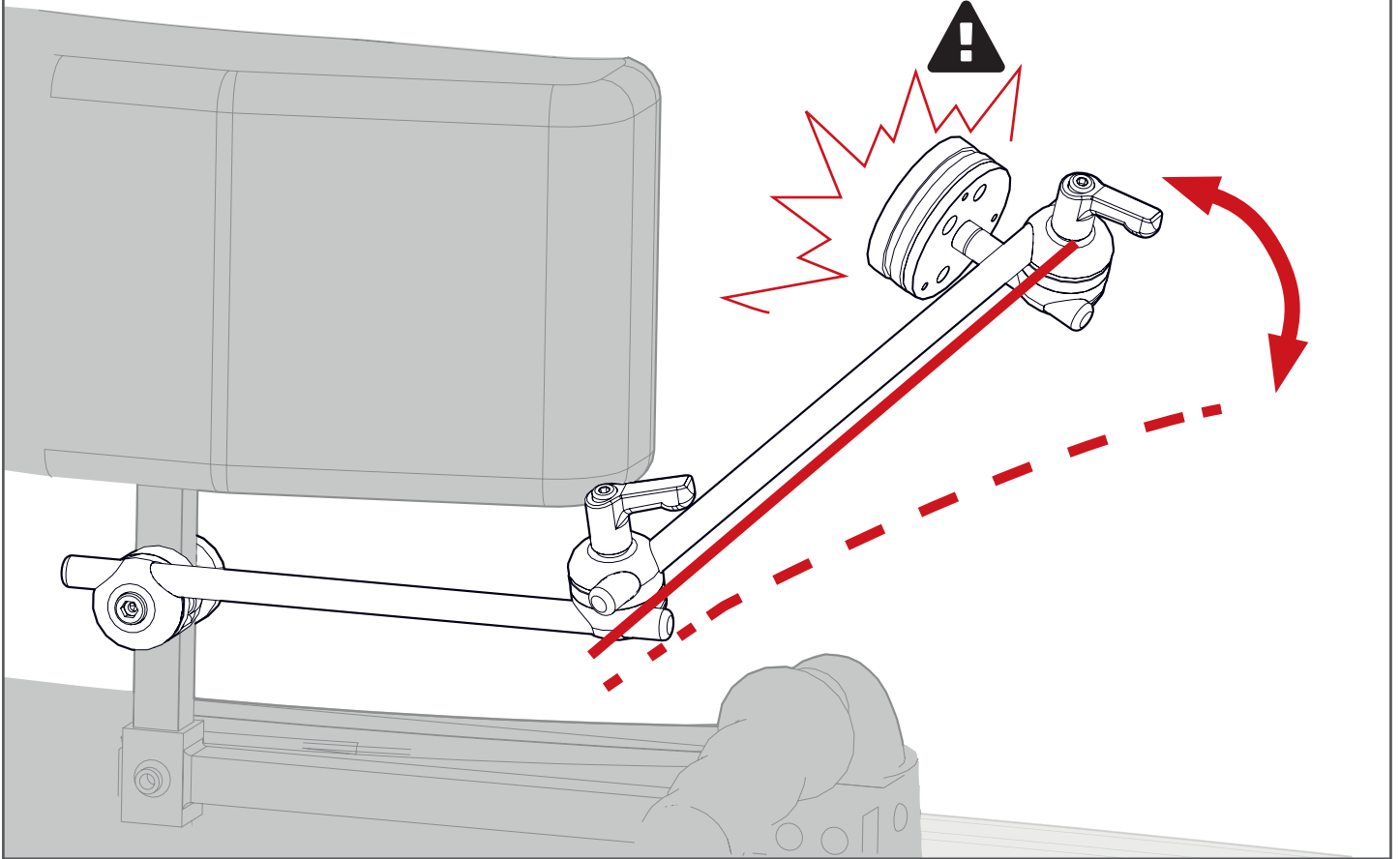
2021-02-01

00.5145~A

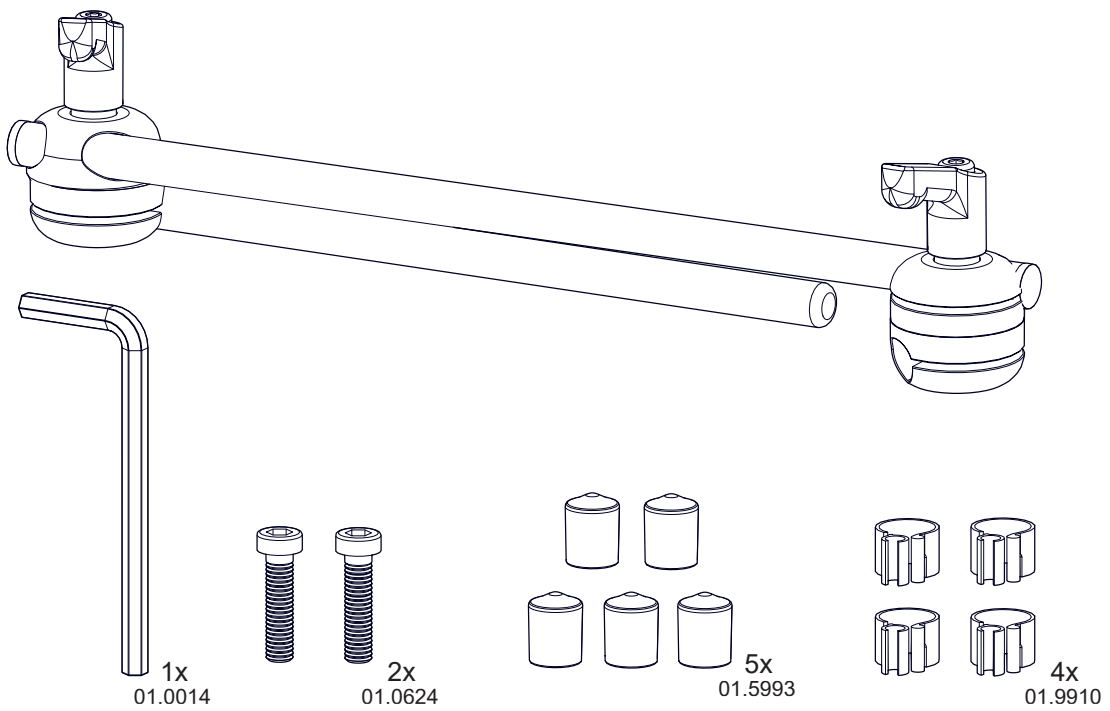
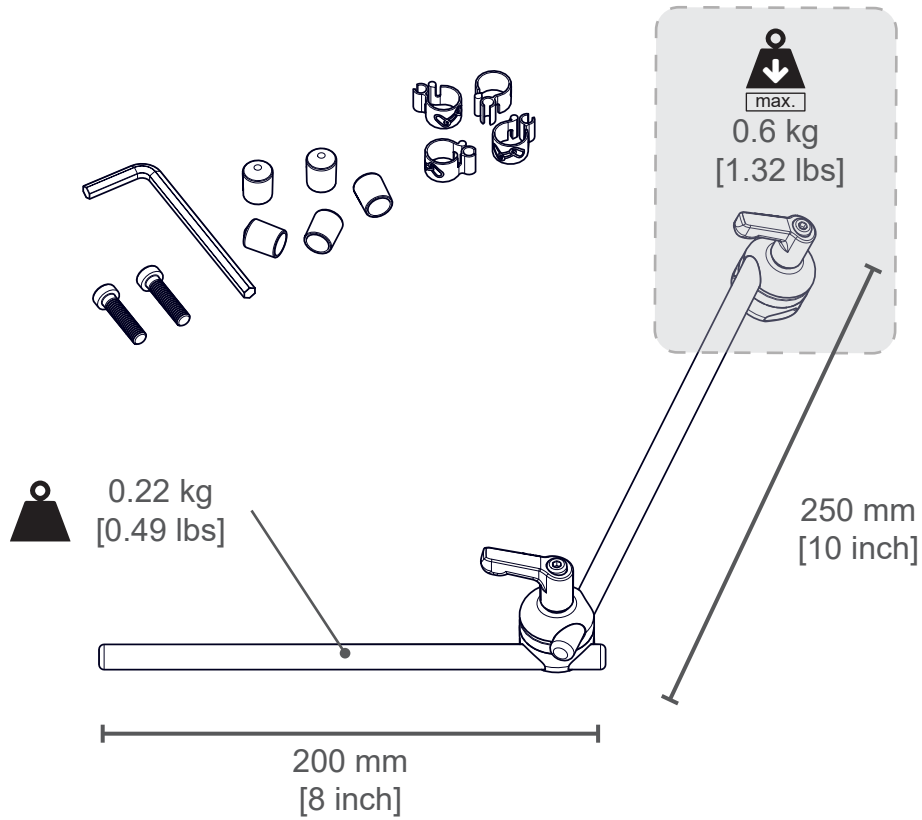


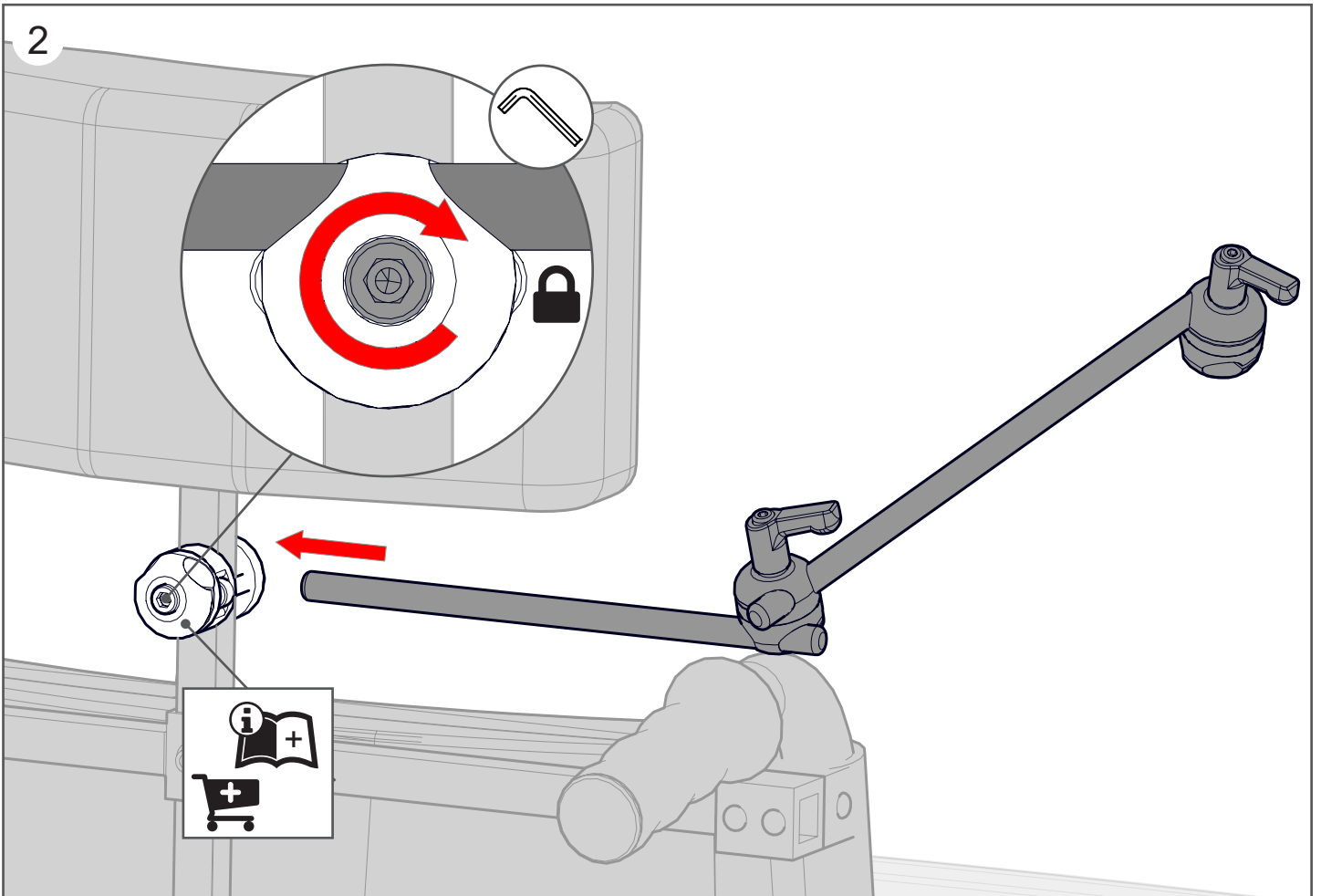
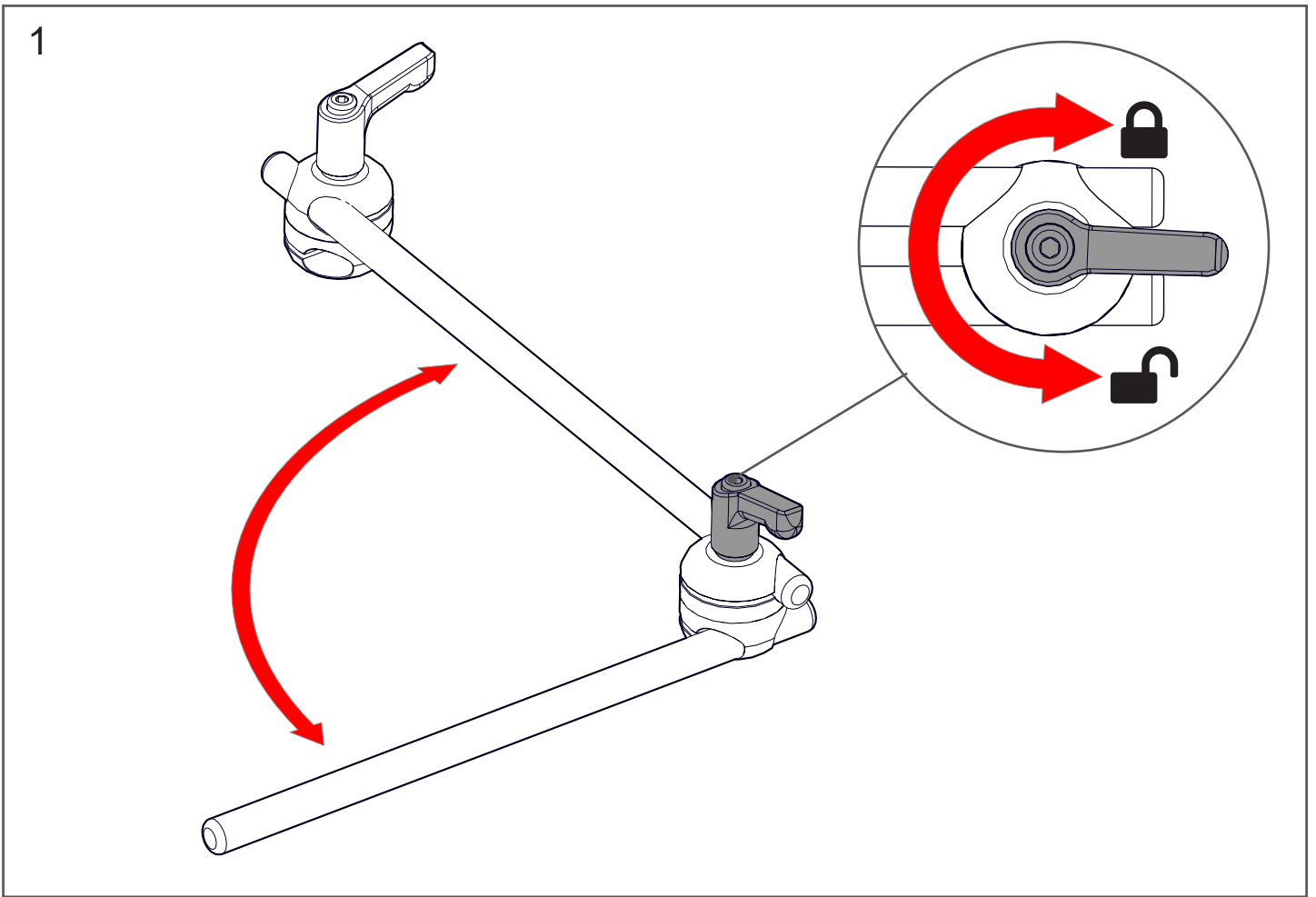


14.2515* Light 3D Headrest 1-Switch Flex

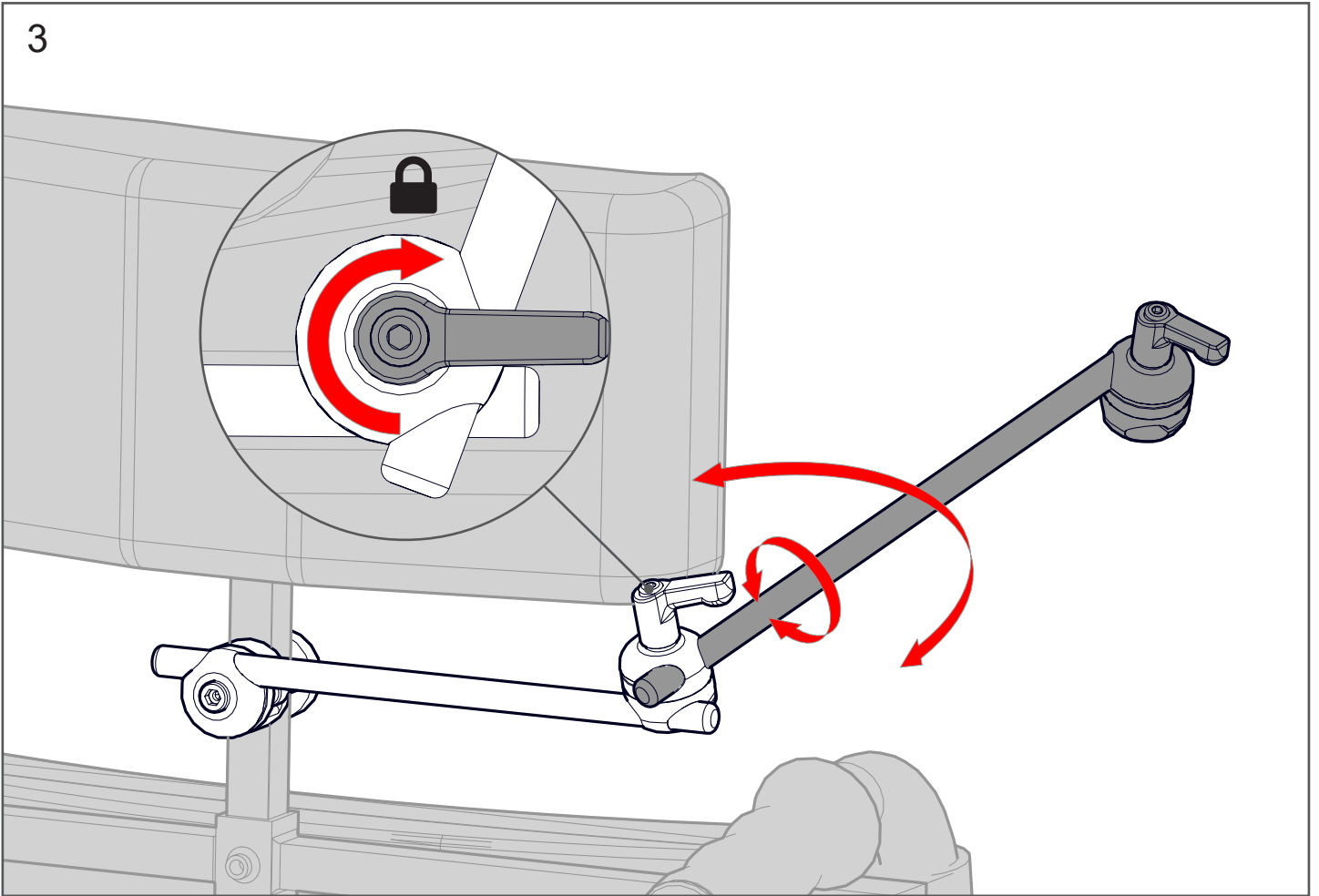


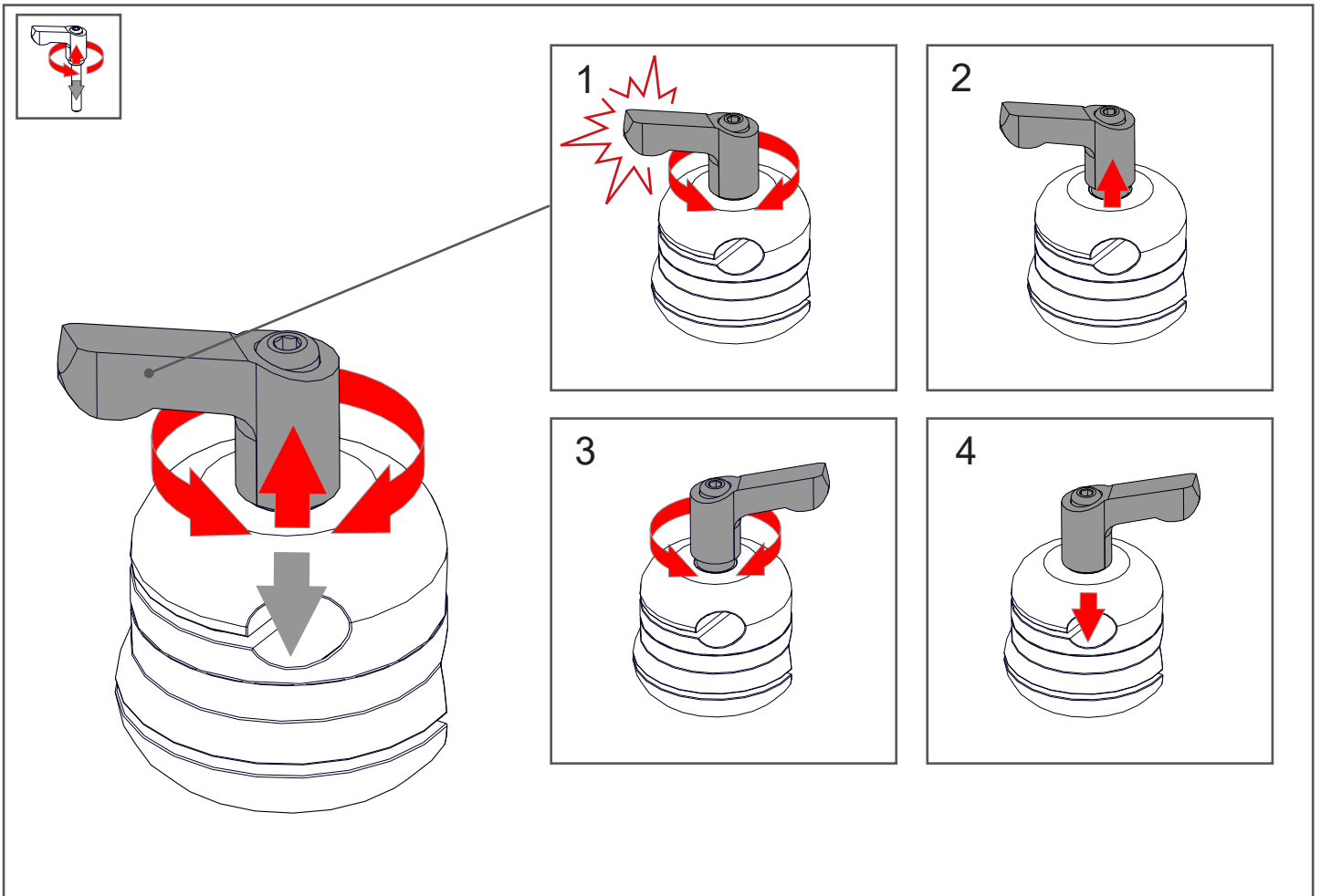
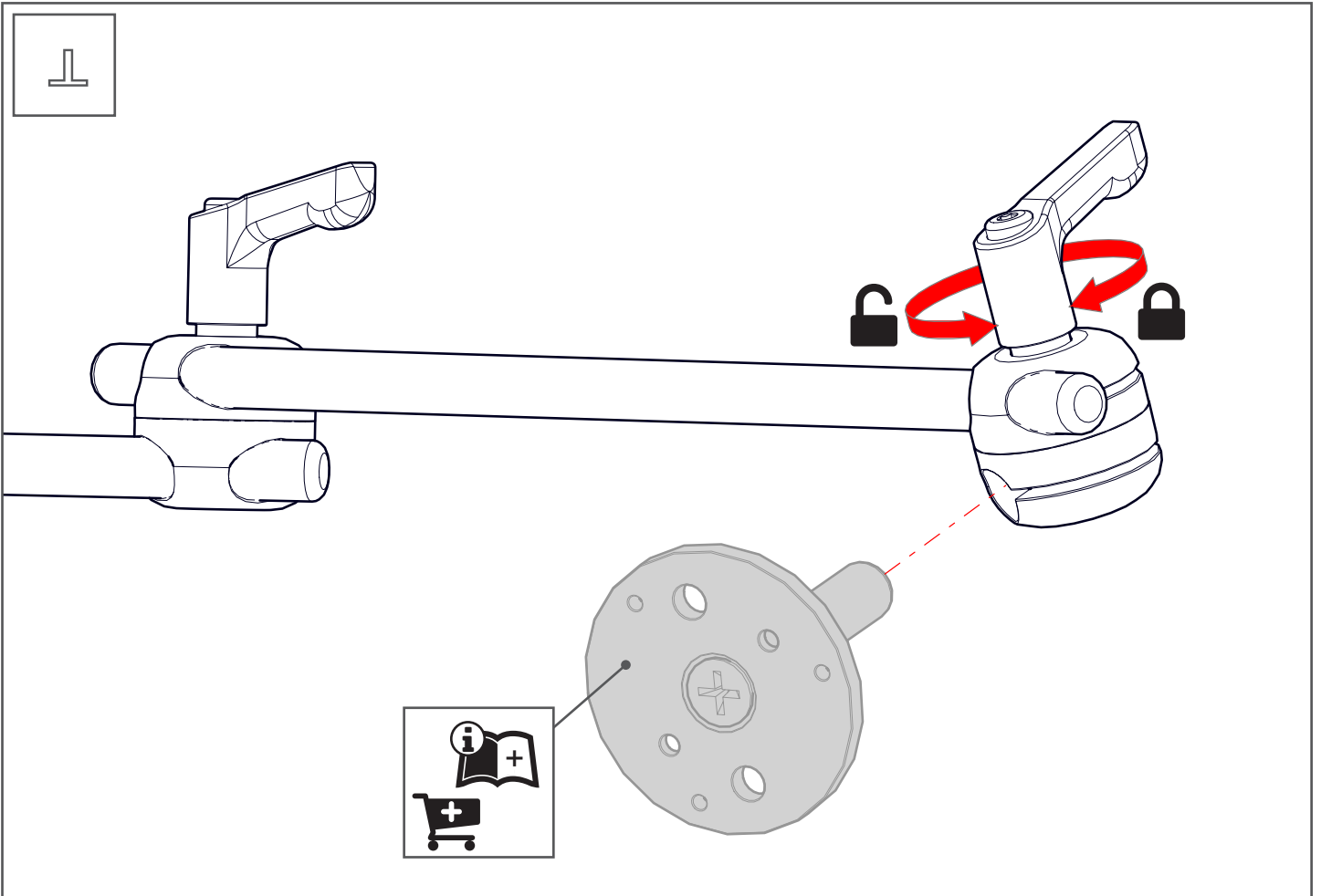


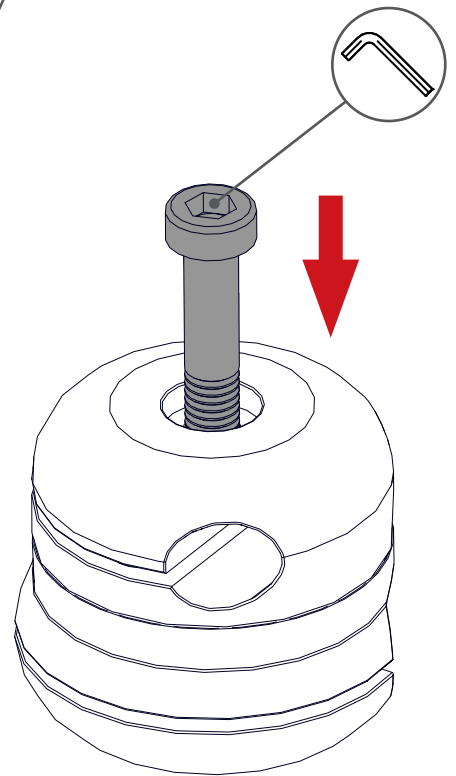
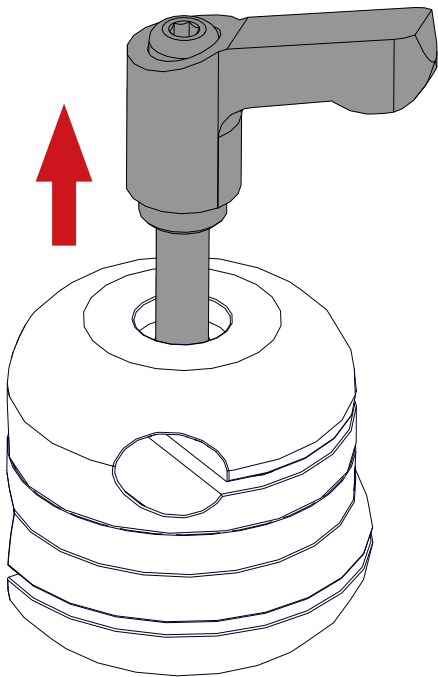




3

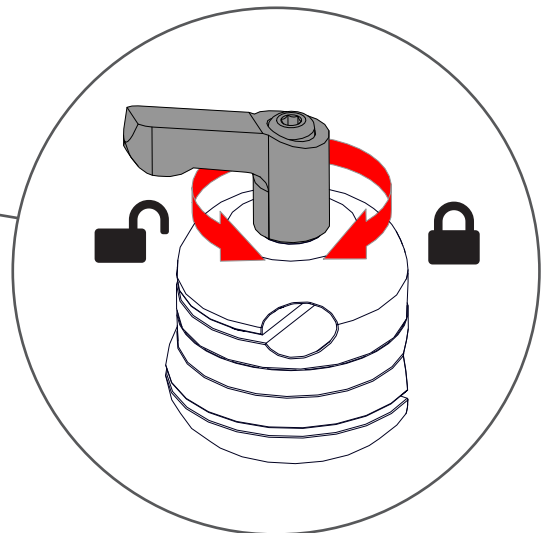
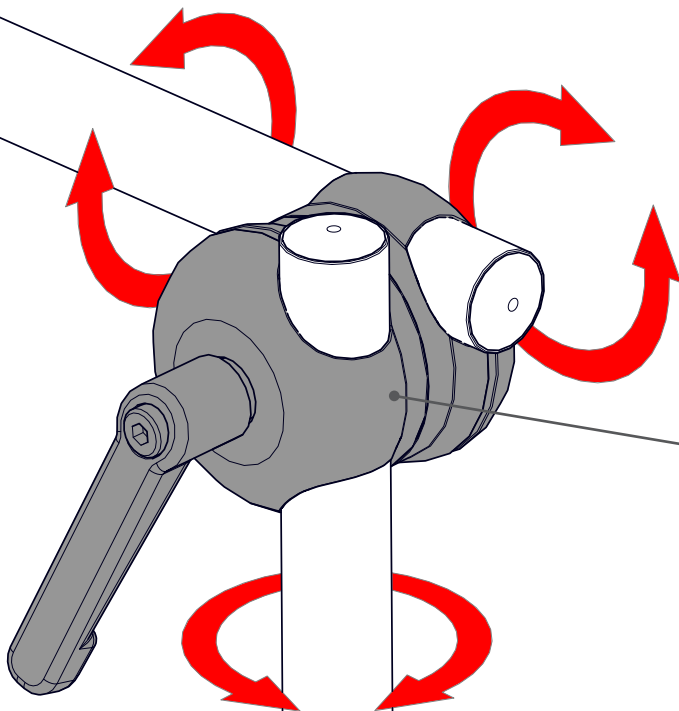
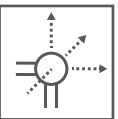


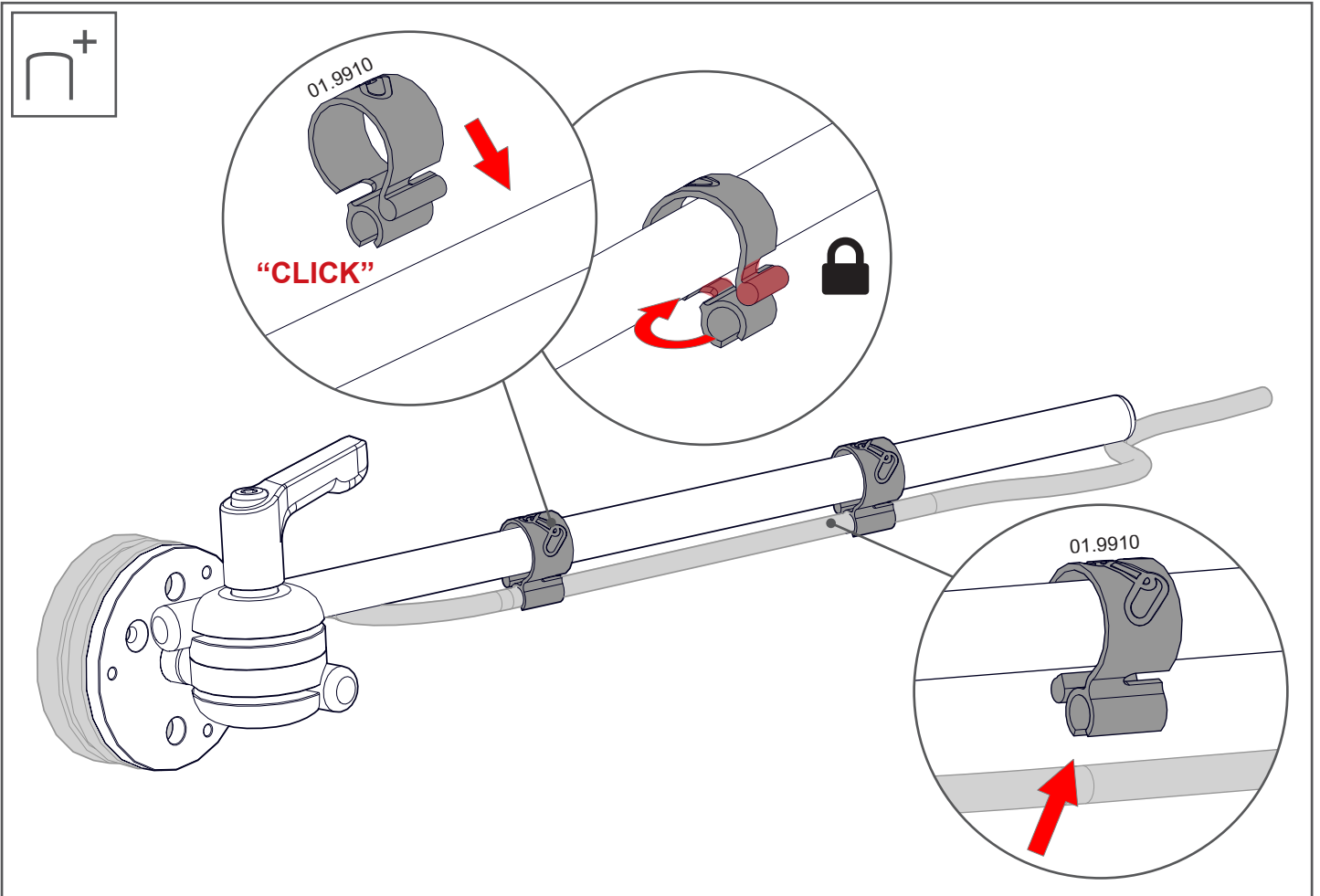
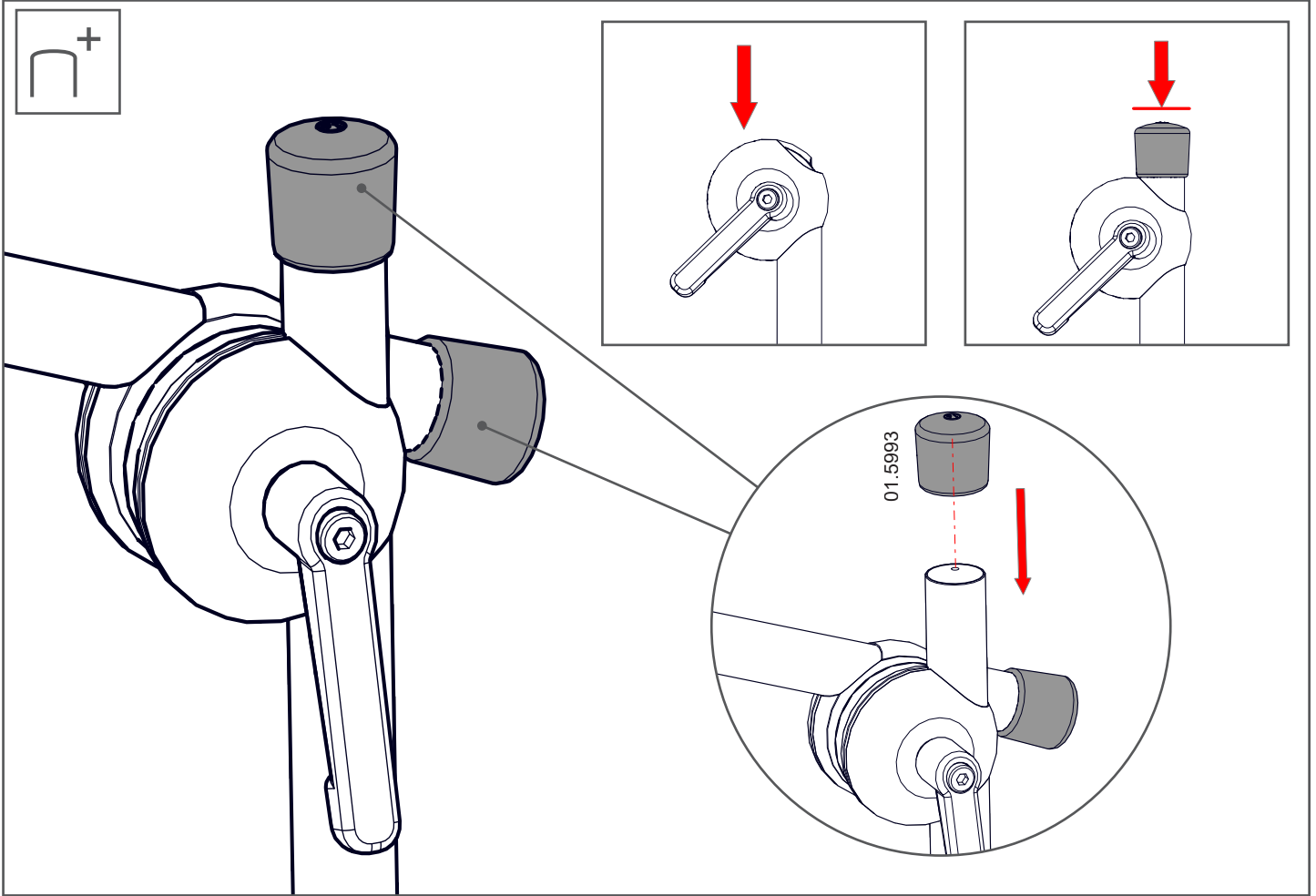


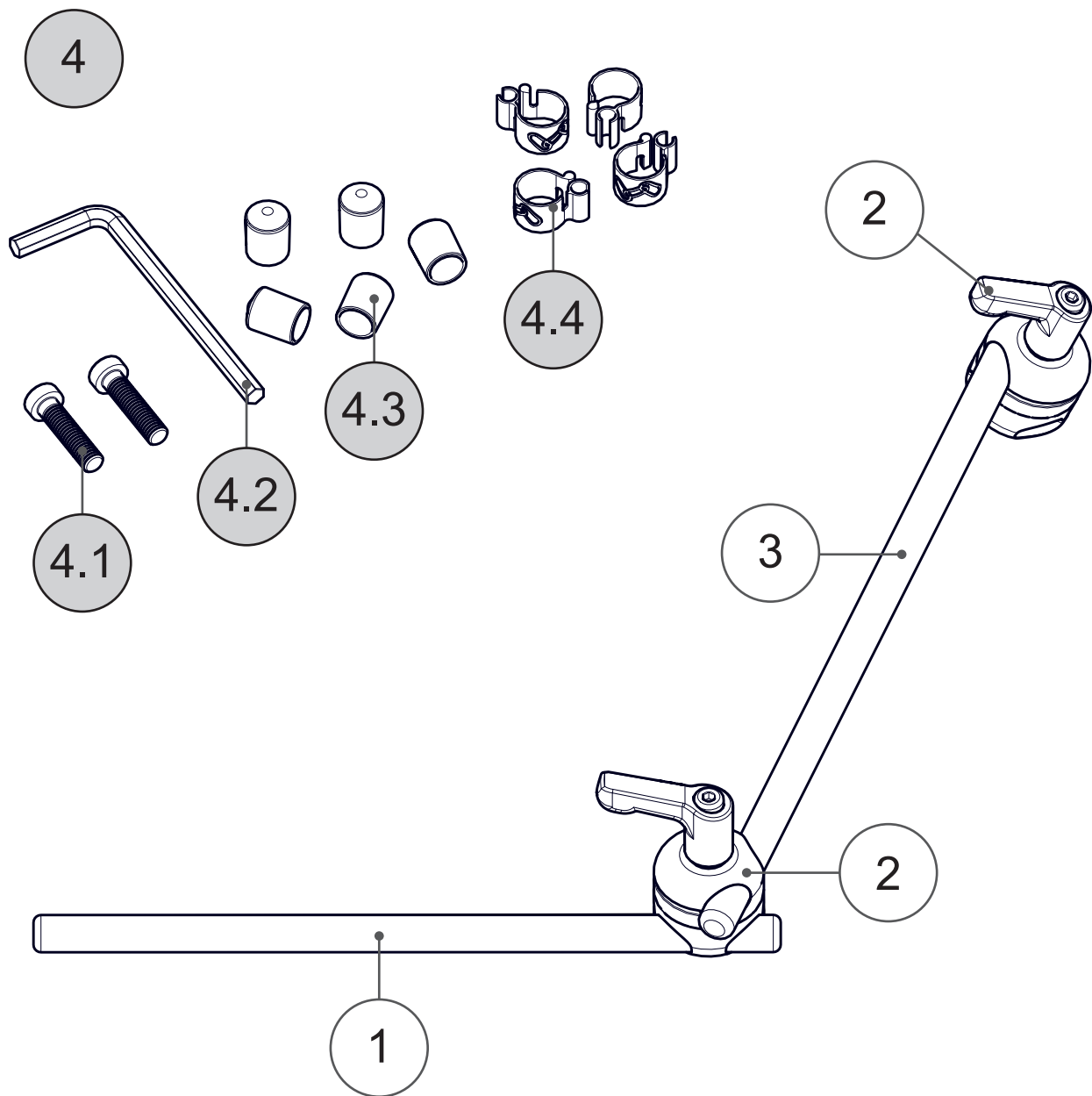


10-10

01.0624



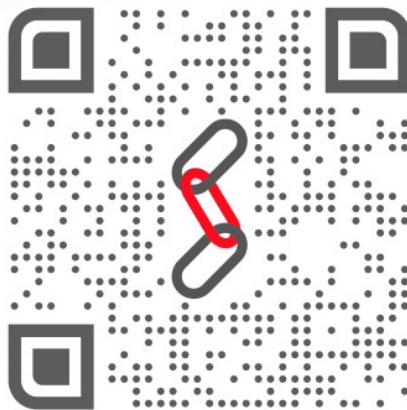




Pos.	No.	Bezeichnung	Description
1	14.9514	Rohr Ø10x200	Tube Ø10x200
2	14.1252	L3D 10-10 QS	L3D 10-10 QS
3*	14.9515	Rohr Ø10x250	Tube Ø22x250
3**	14.9714	Flex Back Rohr Ø10x250	Flex Back Tube Ø10x250
4	14.2415BS	Schraubensatz - L3D HR 1-Switch	Set of bolts - L3D HR 1-Switch
4.1	01.0624	Zylinderschraube M6x25	Cylinder head bolt M6x25
4.2	01.0014	Innensechskantschlüssel 5mm	Allen wrench 5mm
4.3	01.5993	Abrutschkappe Ø10mm	Restraining cap Ø10mm
4.4	01.9910	Kabelclip Ø10	Cable clip Ø10

* 14.2415 **Light 3D Headrest 1-Switch**

14.2515 **Light 3D Headrest 1-Switch Flex



Rehadapt Engineering
GmbH & Co. KG

📄 Heinrich-Hertz-Str. 104
34123 Kassel, Germany

☎ Tel.: +49 561 220 717 0
📠 Fax: +49 561 220 717 99

✉ officeteam@rehadapt.com
🌐 <https://rehadapt.com>



Rehadapt
North America

📄 40 Oser Ave
Hauppauge, NY 11788, USA

☎ Tel.: 1 (888) 635-6962
📠 Fax: 1 (888) 635-6962

✉ officeteam.na@rehadapt.com
🌐 <https://rehadapt.com>